

Patents, Designs, and Trade Marks

SUPPLEMENT

TO THE

NEW ZEALAND GAZETTE

OF

THURSDAY, AUGUST 25, 1910.

Published by Authority.

WELLINGTON, THURSDAY, AUGUST 25, 1910.

CONTENTS.

	Page
International and Intercolonial Arrangements for the Mutual Protection of Patents and Trade Marks ..	3265
Patent Office Agent appointed	3266
Patent Agent registered	3266
Applications for Letters Patent filed	3266
Complete Specifications filed after Provisionals ..	3267
Complete Specifications accepted	3267
Provisional Specifications accepted	3271
Letters Patent sealed	3272
Letters Patent on which Fees have been paid ..	3272
Subsequent Proprietors of Letters Patent registered	3272
Requests for Amendment of Specifications allowed ..	3273
Applications for Letters Patent abandoned ..	3273
Applications for Letters Patent void	3273
Applications for Letters Patent lapsed	3273
Letters Patent void	3273
Designs expired	3273
Applications for Trade Marks filed	3273
Applications for Registration of Trade Marks ..	3274
Trade Marks registered	3280
Trade Mark Renewal Fees paid	3280
Subsequent Proprietors of Trade Marks registered ..	3280
Trade Marks removed from the Register	3280
Trade Mark restored to the Register	3280
Request for Amendment of Trade Mark Application	3280
Applications for Trade Marks abandoned or refused	3280
Applications for Trade Mark withdrawn	3280
Trade Mark Registration cancelled	3280
Cancellation of Part of Entry of Trade Mark on Register	3280

International and Intercolonial Arrangements for the Mutual Protection of Patents and Trade Marks.

INTERNATIONAL CONVENTION.

THE following countries now belong to the Convention :—

Australia.	Italy.
Austria-Hungary.	Japan.
Belgium.	Mexico.
Brazil.	New Zealand.
Ceylon.	Norway.
Cuba.	Portugal, with the Azores and Madeira.
Denmark and Faroe Islands.	Servia.
Dominican Republic.	Spain.
France, with Algeria and Colonies.	Sweden.
Germany.	Switzerland.
Great Britain.	Tunis.
Holland, with East Indian Colonies, Curaçoa, and Surinam.*	United States of America.

* Trade marks only.

Separate arrangements have been made between Australia and New Zealand.

Particulars of the Convention and of such arrangements may be seen in the following *Gazettes* :—

Notification of adhesion of New Zealand to the Convention, with text thereof (in English), in the *Gazette* of 26th November, 1891; notification of adherence of New Zealand to the Additional Act of the Convention, with text (in English) of such Additional Act, in *Patents Supplement to Gazette* No. 101, of the 16th November, 1905; Order in Council applying section 103 of the Imperial Act to New Zealand, in *Gazette* No. 27, of the 15th May, 1890; Orders in Council containing arrangements between Australia and New Zealand, in *Patent Supplements to the Gazette* Nos. 22, of the 9th March, 1905, and 38, of the 20th April, 1905.

Patent Office Agent appointed.

Department of Justice,
Wellington, 13th August, 1910.

HIS Excellency the Governor has been pleased to appoint

JOHN HENRY CARRAD

to be Patent Office Agent at Gisborne during the absence of G. J. A. Johnstone.

JOHN G. FINDLAY.

Patent Agent registered.

Patent Office,
Wellington, 13th August, 1910.

IT is hereby notified that

ROBERT McLINTOCK,

of Imperial Buildings, Dowling Street, Dunedin, New Zealand, Consulting Engineer, has been registered as a Patent Agent.

Applications for Letters Patent filed.

LIST of applications for Letters Patent filed. (Where a complete specification accompanies an application an asterisk is affixed; in all other cases a provisional specification has been lodged. In all cases where the applicant is not the inventor the name of the latter appears in italics in brackets. † Denotes an application under the International and Intercolonial Arrangements.)

Thurston, C. G., Gore, N.Z.	Boiler, locomotive; 28215; 5th August.
Nuttall, W. J., Marton, N.Z.	Windows; 28216; 6th August.
McLeod, A., Grey Lynn, N.Z.	Califont; 28217; 5th August.
Trapski, J., Wyndham, N.Z.	Plough; 28218; 8th August.
Macdonald, R., Chelsea, N.Z.	Electric-lamp holder; 28219; 6th August.
Hood, G., Kirwee, N.Z.	Rein-buckle; 28220; 8th August.
Wolesley Sheep-shearing Machine Company, Limited, Aston, Eng. (<i>Hudson, E. V.</i>)	Cream-separator cone*; 28221; 2nd September, 1909.†
Barham, G. R., London, Eng.	Lead-light*; 28222; 16th September, 1909.†
Williams, J. H., Walthamstow, Eng.	Lead-light*; 28222; 16th September, 1909.†
Mygatt, O. A., New York, U.S.A.	Pressed-glass-enclosure manufacture*; 28223; 9th August.
Pittler Universal Rotary Machine Syndicate, Limited, London, Eng. (<i>Von Pittler, W.</i>)	Rotary fluid-pressure machine*; 28224; 9th August.
Burrows, E. H., Chiltern, Vic.	Trap-door guard; 28225; 9th August.
Thomas, J. E., Germiston, Trans.	Tube-mill feed*; 28226; 9th August.
Cook, T., Petone, N.Z.	Steam digester*; 28227; 9th August.
Morton, W., Dunedin, N.Z.	Tire, pneumatic, puncture-preventer*; 28228; 8th August.
Kettle, H. G., Dunedin, N.Z.	Milk-cooler; 28229; 8th August.
Thomson, C. J. H., Milton, N.Z.	Flax-stripper; 28230; 8th August.
Thomas, B. and E., Hulme, Eng.	Crane*; 28231; 10th August.
Holme, E. M., Stockport, Eng.	Crane*; 28231; 10th August.
Clapcott, F. B., Auckland, N.Z.	Gate-latch*; 28232; 10th August.
Kerr, A. D., Wellington, N.Z.	Aeroplane; 28233; 10th August.
Moore, F. C., Wellington, N.Z.	Sauce; 28234; 10th August.
Whittall, S. G., Christchurch, N.Z.	Bath*; 28235; 9th August.
Dennison, W. N., Camden, U.S.A.	Talking-machine*; 28236; 18th August, 1909.†
Willis, A. J. P., Melbourne, Vic.	Advertising-sign; 28237; 10th August.
Mitchell, T. J., Hamilton, N.Z.	Flax-production; 28238; 11th August.
Brown, J., Auckland, N.Z.	Tire*; 28239; 11th August.
Quinton, J. M., Auckland, N.Z.	Chicken-brooder*; 28240; 11th August.
Short, J. A., Wellington, N.Z.	Skylight*; 28241; 11th August.
Patterson, R., Karangahake, N.Z.	Plough mould-board; 28242; 11th August.
Joyce, E. J., Karangahake, N.Z.	Plough mould-board; 28242; 11th August.
Munro, C. S., Kurow, N.Z.	Warming-device*; 28243; 9th August.
Maunder, R. M., Palmerston North, N.Z.	Fire-screen; 28244; 12th August.
King, R., Palmerston North, N.Z.	Fire-screen; 28244; 12th August.
Craw, G., Linton, N.Z.	Flax-stripper; 28245; 12th August.
Millis, R., Dunedin, N.Z.	Lift*; 28246; 10th August.
Millis, J. H., Dunedin, N.Z.	Lift*; 28246; 10th August.
Oldman, C. A., Waiau, N.Z.	Carbide-tin sealing; 28247; 12th August.
Metcalfe, H., Auckland, N.Z.	Scaffold-bracket; 28248; 12th August.
Sharp, J., jun., Nelson, N.Z.	Pen-nib reservoir; 28249; 12th August.
Peterson, F. L., Wellington, N.Z.	Pen-nib reservoir; 28249; 12th August.
Stephenson, W. A., Waikino, N.Z.	Lead-head-nail machine; 28250; 12th August.
McDougall, A. A., Napier, N.Z.	Spouting-bracket; 28251; 11th August.
McKellar, C. G., Christchurch, N.Z.	Jar, screw-top*; 28252; 11th August.
Smith, W. W., Timaru, N.Z.	Label, &c., holder; 28253; 13th August.
Murray, A. C., Timaru, N.Z.	Label, &c., holder; 28253; 13th August.
Keesing, H. M., Auckland, N.Z.	Advertising-device; 28254; 12th August.
Garner, J. A. C., Dunedin, N.Z.	Phonograph, &c., diaphragm; 28255; 13th August.
Garner, J. A. C., Dunedin, N.Z.	Phonograph; 28256; 13th August.
Norton, J. T., Lyttelton, N.Z.	Yeast-making compound; 28257; 15th August.
Uddstrom, C., Greymouth, N.Z.	Saw-bench return-feed; 28258; 10th August.
Lewis, F., Ngaio, N.Z.	Wire-strainer; 28259; 15th August.
Hansen, E. H., Manaia, N.Z.	Steam-boiler draught*; 28260; 15th August.
Southwell, W., Hastings, N.Z.	Sprayer*; 28261; 15th August.
McLellan, D., Napier, N.Z.	Sprayer*; 28261; 15th August.
Clapcott, F. B., Auckland, N.Z.	Purse*; 28262; 15th August.
Treloar, J., Hamilton, N.Z.	Milking-machine pulsator; 28263; 12th August.
Landon, J. M., London, Eng.	Sound trumpet or amplifier; 28264; 16th August.
Prentice, F. W., Toronto, Can.	Electric-train control; 28265; 16th August.
Midgley, A. H., Acton Vale, Eng.	Dynamo, electric machine*; 28266; 16th August.
Vandervell, C. A., Acton Vale, Eng.	Dynamo, electric machine*; 28266; 16th August.
Robacher, W. W., Rochester, Eng.	Cyanide process filtering-apparatus*; 28267; 13th May.†
Robacher, W. W., Rochester, Eng.	Cyanide process filtering-apparatus*; 28268; 13th May.†
Matheson, D., Martinborough, N.Z.	Paint-brush; 28269; 16th August.
Phillips, T., Auckland, N.Z.	Variable-speed gear; 28270; 15th August.
Wilson, H. E., Auckland, N.Z.	Variable-speed gear; 28270; 15th August.
Parker, J., Auckland, N.Z.	Wire-strainer; 28271; 15th August.
Stobo, S. E., Southdown, N.Z.	Brick; 28272; 15th August.
Bartlett, S., Dunedin, N.Z.	Periodical, &c., wrapper; 28273; 15th August.
Smith, A., Matamata, N.Z.	Animal-trap; 28274; 17th August.

Griffin, P. J., Wellington, N.Z.	Cake-safe; 28275; 17th August.
Eustage, T. P., Wellington, N.Z.	Cake-safe; 28275; 17th August.
Thompson, H., Christchurch, N.Z.	Race-starter; 28276; 17th August.
Kershaw, H., Christchurch, N.Z.	Race-starter; 28276; 17th August.
United Shoe Machinery Company, Paterson, U.S.A.	Stamping-machine (<i>Winter, H. W.</i>); 28277; 17th August.
United Shoe Machinery Company, Paterson, U.S.A.	Sole-trimming machine (<i>Borden, W. H.</i>); 28278; 17th August.
United Shoe Machinery Company, Paterson, U.S.A.	Fastening inserter (<i>Briggs, T.</i>); 28279; 17th August.
United Shoe Machinery Company, Paterson, U.S.A.	Sole-levelling machine (<i>Bates, A., Gouldbourn, J., and Cridland, E. A.</i>); 27280; 17th August.
United Shoe Machinery Company, Paterson, U.S.A.	Boot-lasting machine (<i>Bates, A., Silvester, R. H., Roberts, W. T. B., and Brown, J. H.</i>); 28281; 17th August.
United Shoe Machinery Company, Paterson, U.S.A.	Boot-lasting machine (<i>Winkley, E. E.</i>); 28282; 17th August.
McRae, W. W., Glens of Tekoa, N.Z.	Feeding-trough*; 28283; 17th August.
Werner, A., Doyleston, N.Z.	Threshing-machine elevator, &c.*; 28284; 17th August.
International Automatic Railway Switch Company, Birmingham, U.S.A. (<i>Shemwell, H.</i>)	Railway switch-throwing mechanism*; 28285; 17th August.
Moore, A., Christchurch, N.Z.	Tea-strainer; 28286; 17th August.

Complete Specifications filed after Provisionals.

LIST of complete specifications filed after provisional specifications, from the 6th to the 19th August, 1910, inclusive:—

- No. 26874.—United Shoe Machinery Company, sewing-machine. (*A. E. Jerram, M. H. Pearson, and J. W. Goddard.*)
- No. 26875.—United Shoe Machinery Company, shoe-shaping machine. (*O. Ashton.*)
- No. 26883.—United Shoe Machinery Company, machine for working upper over last. (*E. Brothers.*)
- No. 26884.—Alcock and Co. Proprietary, Limited, timber-drying process. (*A. U. Alcock.*)
- No. 26904.—Ridd Milking Machine Company, Limited, teat-cup. (*A. Ridd.*)
- No. 26907.—E. D. Rout, milk-cooler valve or tap.
- No. 26912.—E. A. Earnshaw, float message for missing ships.
- No. 26928.—H. Worthington, rat-trap for hawser.
- No. 26956.—H. W. Tristram and F. W. Horckerday, horse-sling.
- No. 27011.—R. W. de Montalk, ferro-concrete building.
- No. 27013.—United Shoe Machinery Company, pulling-over machine. (*A. L. Engberg.*)
- No. 27014.—United Shoe Machinery Company, welt-beating machine. (*J. Gouldbourn.*)
- No. 27018.—W. Day, centrifugal pump.
- No. 27122.—L. A. Nicholls, securing lamps to road-vehicles.
- No. 27453.—P. C. C. Isherwood, filtering-apparatus.

Notice of Acceptance of Complete Specifications.

Patent Office,
Wellington, 24th August, 1910.

COMPLETE specifications relating to the un-dermentioned applications for Letters Patent have been accepted, and are open to public inspection at this office. Any person may, at any time within two months from the date of this *Gazette*, give me notice in writing of opposition to the grant of any such patent. Such notice must set forth the particular grounds of objection, and be in duplicate. A fee of 10s. is payable thereon.

The copies of claims and extracts from the specifications and drawings are merely intended to give some further indication of the invention than is disclosed in the title, and the complete specifications and drawings should be referred to for a description of the invention.

No. 26322.—30th July, 1909.—FRANCIS JOSEPH GROGAN, of Frankfield, Douglas, New South Wales, Grazier. Improvements in trotting-sulkies.*

Claims.—(1.) In improvements in trotting-sulkies, trace-hooks or cleats secured to the shafts in or about the position shown in the drawings, and breeching-eyes on (or approximately so) the tips of the shafts, both in combination with a sulky-frame mounted upon springs bearing upon a cranked axle, all for the purpose set forth, and substantially as described and illustrated. (2.) In improvements in trotting-sulkies, the combination and arrangement of the parts and integers as described, and as illustrated in the drawings.

(Specification, 2s. 9d.)

No. 26394.—10th August, 1909.—CHARLES EDWARD MCKENZIE, of Taumarunui, New Zealand, Bandmaster. An improved acetylene-generator.

Claims.—(1.) In acetylene-generators, the combination with a water-tank and gas-holder fitting therein of a generating-chamber in communication with the water-tank and with the gas-holder, a carbide-holder mounted within the generating-chamber so as to be free to rise and fall therein, and means for suspending the carbide-holder upon the gas-holder, substantially as specified. (2.) The improved acetylene-generator constructed and operating substantially as described and explained, and as illustrated in the drawings.

(Specification, 3s. 3d.)

No. 26428.—17th August, 1909.—ALEXANDER MOORE, of Gapes Valley, Geraldine, Canterbury, New Zealand, Farmer. An improved life-saving appliance or belt for use at sea.*

Claims.—(1.) A lifebelt characterized by a buoyant waist-piece provided with securing-means, a buoyant piece extending above said waist-piece and branching off into shoulder-flaps, and means for securing the ends of said shoulder-flaps to said waist-piece, substantially as described. (2.) A lifebelt consisting of the several parts combined, arranged, and adapted to operate substantially as described.

(Specification, 3s.)

No. 26443.—18th August, 1909.—UNITED SHOE-MACHINERY COMPANY, of Paterson, in the State of New Jersey, United States of America, a corporation duly organized under the laws of said State of New Jersey, carrying on business as Shoe-machinery Manufacturers, and having a place of business at 205 Lincoln Street, Boston, Massachusetts, United States of America (assignees of Ira Clyde Buckminster, of Beverly, Massachusetts aforesaid, Draftsman). Improvements in or relating to presses.*

Claims.—(1.) A machine of the class described, comprising co-operating presser-members arranged for relative movement in amounts determined at the will of the operator to bring them into different operative relations to each other, means for effecting a relative pressure-applying movement of said members, and means for preventing a continuation of the first-mentioned relative movement of said members during the last-mentioned relative movement of said members. (2.) A machine of the class described, comprising co-operating presser-members arranged for relative movement in amounts determined at the will of the operator to bring them into different operative relations to each other, means for effecting a relative pressure-applying movement of said members, and means operating automatically to prevent a continuation of the first-mentioned relative movement of said members during the last-mentioned relative movement. (3.) A machine of the class described, comprising co-operating presser-members relatively movable into different operative relations to each other, means for effecting a relative pressure-applying movement of said members at right angles to said first-mentioned movement, and braking-means operating to check said first-mentioned relative movement of said members to insure a substantially straight-line pressure-applying movement.

[NOTE.—Here follow fifty-six other claims.]

(Specification, £2 15s.)

No. 26494.—27th August, 1909.—ALBERT SCHULTZE, of Cobden, Greymouth, New Zealand, Mechanic. An improved lock.*

Claims.—(1.) In door-locks, a handle-spindle mounted to slide transversely through the lock-casing, a wedge-block secured upon such spindle and engaging with the bolt so as to move it when the spindle is moved, and a spring for keeping the bolt in its normal position, substantially as specified.

[NOTE.—Here follow three other claims.]

(Specification, 5s. 6d.)

No. 26502.—28th August, 1909.—EDWARD LE ROY, of Devonport, near Auckland, New Zealand, Tent-cover Maker. An improved horse-cover.*

Claims.—(1.) In the improved horse-cover specified, the additional crease, tuck, or pleat made somewhat curved-shaped, in the manner and for the purpose set forth, as described and illustrated. (2.) The improved horse-cover having a somewhat curved crease, tuck, or pleat made therein in the manner and for the purpose set forth, as described and illustrated.

(Specification, 2s.)

No. 26579.—14th September, 1909.—JAMES FORTUNE, of Heathcote, Victoria, Australia, Blacksmith. Improvements in appliances for lamb-marking, docking, and analogous purposes.*

Claims.—(1.) A tail-docking tool having pivoted jaws, one of which is tapered and wholly or partly serrated or roughened along its inner edge, and adapted to enter a V-shaped or like groove in the other jaw, substantially as indicated. (2.) A tool for purposes as indicated, having jaws which close, or parts of which close, as indicated in Fig. 4, to leave a recess between the jaws. (3.) As a whole, a tool of the kind indicated, one jaw being wholly or partly serrated, and the rest of the details being substantially as shown in Fig. 1.

(Specification, 3s. 3d.)

No. 26599.—15th September, 1909.—UNITED SHOE MACHINERY COMPANY, of Paterson, in the State of New Jersey, United States of America, a corporation duly organized under the laws of said State of New Jersey, carrying on business as Shoe-machinery Manufacturers, and having a place of business at 205 Lincoln Street, Boston, Massachusetts, United States of America (assignees of Ronald Francis McFeely, of Beverly, Massachusetts aforesaid, Inventor). Improvements in or relating to apparatus for and method of making boots and shoes.*

Claims.—(1.) A machine for working an upper over a last, having, in combination, gripping-means provided with substantially continuous gripping-faces flared outwardly to seize the upper at the toe end and opposite sides of the shoe in its normal outwardly flared position and pull it over the last, and means for lasting the upper of the forward portion of the shoe. (2.) A machine for working an upper over a last, having, in combination, grippers formed with substantially continuous gripping-faces to engage the upper from one side of the shoe around the toe to the other side of the last, means for closing the grippers, means for relatively actuating the grippers and last to stretch the upper, means to wipe the upper over the bottom of the last, and means for inserting fastenings to secure the upper. (3.) In a machine of the class described, means for gripping an upper at the end and the opposite sides of the forward portion of a last, said gripping-means comprising suitable supporting and operating mechanism and sectional gripper-jaws formed to adapt them to the contour of the forward portion of the last.

[NOTE.—Here follow forty other claims.]

(Specification, £1 14s.)

No. 26601.—15th September, 1909.—UNITED SHOE MACHINERY COMPANY, of Paterson, in the State of New Jersey, United States of America, a corporation duly organized under the laws of said State of New Jersey, carrying on business as Shoe-machinery Manufacturers, and having a place of business at 205 Lincoln Street, Boston, Massachusetts, United States of America (assignees of Harry Hall, of Leicester, England, Engineer). Improvements in or relating to heel-nailing machines.*

Claims.—(1.) A heel-nailing machine having in combination a nail-block mounted for movement between a nail-receiving

and a nail-driving position, and a work-support comprising a thin flexible member arranged to support the work in close proximity to the upper surface of the nail-block when the latter is in its driving position. (2.) In a heel-nailing machine, the combination with a movable nail-block (of the type exemplified by 2) of a heel-support between the nail-block and the work, having a driver aperture or apertures sufficiently large to permit the unobstructed passage therethrough of the drivers even should there be inexact relative adjustment between the support and the nail-block, and also, for the purpose described, being made thin relatively to the length of the nails.

[NOTE.—Here follow three other claims.]

(Specification, 7s. 3d.)

No. 26678.—5th October, 1909.—WILLIAM NORMAN GLYN PARRY, of Puka Puka, Puhoi, Auckland, New Zealand, Contractor. Improved rock-boring apparatus.*

Extract from Specification.—The apparatus designed consists of a metal cylinder having a number of steel cutters secured at irregular intervals around its bottom edge, which is adapted to be alternately raised and dropped by means of suitable means. Means are also provided whereby it may be rotated between each drop so that the cutters will work evenly round the core. The invention also comprises the combination of this cylinder with a contractible and expansible metal ring having a bevelled outer edge that is adapted to be passed down between the core and inside of the cylinder, and then to be jammed on to the bottom of the core so as to allow of it being raised with the cylinder. It also provides ready means whereby the length of the cylinder-lifting chain may be varied to regulate the height of the cylinder's working.

[NOTE.—The above extract from the specification is inserted in place of the claims.]

(Specification, 5s. 6d.)

No. 26695.—26th October, 1908.—JOHN WILLIAM HALL, of 70 Josephine Avenue, Brixton Hill, London, S.W., England, Engineer, and CYRIL BAYNES, of 15 Kensington Court Mansions, Kensington, London W., England, Motor-specialist. Improvements in or relating to detachable rims for wheels.

[NOTE.—This is an application under the International and Inter-colonial Arrangements, the date given being the official date of the application in England.]

Extract from Specification.—According to this invention, in detachable rims having separable sections the tire is secured to the rim and the rim to the wheel or hub-member by a bolt passing through the felloe and engaging a security-pad inside the tire; or the bolt may be integral with the security-pad and adapted to receive a nut to secure it in place. In order to separate the sections a toggle-plate is pivotally connected to the short arm of a lever, the toggle-plate and the lever being pivoted to adjacent ends of two sections so that movement of the lever separates the sections. One end of the toggle-plate and the fulcrum of the lever are provided with pins which pass through holes formed in the adjacent ends of the two sections, and a similar device is applied to the other side of the rim and engages with the same pins.

[NOTE.—The above extract from the specification is inserted in place of the claims.]

(Specification, 12s.)

No. 26702.—7th October, 1909.—GEORGE GRAY, care of Reid and Gray, Dunedin, New Zealand, Engineer. Improvements in means for setting hand-levers.*

Claims.—(1.) In means for setting hand-levers of the class described, a pair of plungers arranged side by side and adapted to engage the toothed rack or quadrant, means whereby both plungers can be held retracted, and means whereby either plunger can be engaged between any two teeth with the other plunger resting inoperative on the top of one of said teeth, substantially as described. (2.) The combination and arrangement of parts comprising my improvements in means for setting hand-levers whereby two adjustments in position of the hand-lever can be obtained for each tooth on the rack or quadrant, substantially as described.

(Specification, 3s.)

No. 26776.—19th October, 1909.—CHARLES SUTTIE, of Waharoa, Flax-miller, and MONTAGUE HARRISON WYNYARD, of Auckland, New Zealand, Solicitor. Improvements in saving tow.*

Claims.—(1.) An apparatus for the purpose indicated, comprising one or more bars or bands placed or moving across the "travel" of the flying tow as it is carried by the wind from the scutcher, substantially as and for the purpose described. (2.) An apparatus for the purpose indicated, comprising a confined "run" or funnel having its inlet so located as to catch and concentrate the wind created by a revolving scutcher, in combination with one or more bars or bands placed or moving across or in such run or funnel, substantially as described. (3.) An apparatus for the purpose indicated, comprising a fan installed in a chamber leading from the scutcher, so positioned and operating as to drive or draw the tow through such chamber, in combination with one or more bars or bands placed or moving across or in the travel of the tow through such chamber, substantially as described.

(Specification, 3s. 3d.)

No. 26872.—1st November, 1909.—HERBERT MANDER, of 97 Queen Street, Westport, New Zealand, Blacksmith. Improved hooks for swingletree and bars for carts, wagons, &c.*

Extract from Specification.—According hereto, the hook is made double, forming two members of corresponding shape and spaced apart; one link of a chain is passed over the members, and the next link is passed between the members. The link passed over the members forms a lock or check which prevents the chain from being withdrawn by accident.

[NOTE.—The above extract from the specification is inserted in place of the claims.]

(Specification, 2s. 9d.)

No. 26924.—24th December, 1909.—THOMAS EDWIN CLARK, of Hobsonville, near Auckland, New Zealand, Pottery-manager. An improved building-block and method of or means for making it.*

Extract from Specification.—Upon the mill being set to work with the die in position, the clay is forced out through the die as shown in Fig. 1. The wire-cut shown in Fig. 4 (CC) combined with the use of this pattern of die in the position shown produces straight-cut sharp edge in the building-block, and this combination is claimed as part of the invention. The dotted lines DD in Fig. 1 are the wire-cuts in common use. The horizontal section of the blocks produced (marked C, Fig. 1) is shown in Fig. 2. The clay is forced down through the pug-mill, and the grain of the clay runs in a vertical direction.

[NOTE.—The above extract from the specification is inserted in place of the claims.]

(Specification, 1s. 6d.)

No. 27083.—22nd December, 1909.—GEORGE WILLIAM SHAILER, of Palmerston North, New Zealand, Fruitgrower. An improved lid for milk-jugs and the like.*

Extract from Specification.—The lid comprises a frame pivoted to a spring clip, which grips the rim of the jug, and a cover made of porous washing-material held by the frame.

[NOTE.—The above extract from the specification is inserted in place of the claims.]

(Specification, 4s. 9d.)

No. 27183.—20th January, 1910.—JOSEPH PATRICK CARMINE, of Westport, New Zealand, Clerk. An improved automatic coupling.

Extract from Specification.—A hook pivoted in one buffer engages with a bolt adapted to slide vertically in the opposing buffer, said bolt being lifted to engage the coupling by a bell-crank lever pivoted upon the buffer, and connected by a rod with an approximately horizontal lever capable of longitudinal movement to provide for compression of the buffer-springs, and actuated to raise the bolt by a hand-lever pivoted upon the vehicle, through the mediation of a bridle.

[NOTE.—The above extract from the specification is inserted in place of the claims.]

(Specification, 4s. 3d.)

No. 27302.—18th February, 1909.—ERNEST ARMSTRONG, of "Elmwood," Wellington Road, Bush Hill Park, Enfield, Middlesex, England, Engineer. Improvements in or relating to files, rasps, or similar tools.

[NOTE.—This is an application under the International and Inter-colonial Arrangements, the date given being the official date of the application in Great Britain.]

Claims.—(1.) A file, rasp, or similar tool having continuous or interrupted teeth lying on curves of such form that tangents to substantially every part of them are inclined to the axis of the surface, or a generating-line along the length of the surface, of the file at an angle of about 45°. (2.) A file, rasp, or similar tool according to the preceding claim, the curves on which the teeth lie being of substantially hyperbolic form. (3.) A file, rasp, or similar tool having the teeth lying on curves of wave-like form. (4.) Files, rasps, or similar tools having teeth arranged substantially as described.

(Specification, 4s. 3d.)

No. 27420.—11th March, 1910.—FREDERICK HUGH ROTHER NEVILLE, of 80 Victoria Street, Wellington, New Zealand, Electrical Engineer, and ARTHUR SELDON PIKE, of Wellington aforesaid, Engineer. Improved suction-light adapter.*

Claims.—(1.) Means for attaching electric lamps to surfaces, consisting in the combination with a socket for holding the lamp, of a block to which the socket is secured, and a rubber suction-cup attached to the block, substantially as specified. (2.) Means for attaching electric lamps to surfaces, constructed and operating substantially as described and explained, and as illustrated in Figs. 1 to 3 of the drawings.

(Specification, 2s. 6d.)

No. 27428.—11th March, 1910.—WILLIAM THOMAS COWPERTHWAIT, of Valley Road, Mount Eden, Auckland, New Zealand, Contractor. Improvements in machines for making concrete blocks.

Extract from Specification.—Machines for making concrete blocks and existing prior to our invention have been made with a base fixed to one of the sides, and with a fixed base and sides pivoted thereon. The ends are hinged to one of the sides so that the whole of the mould opens out for the extraction of the block. According to my invention one of the sides of the mould is fixed to the base, and the opposing side to which the ends are hinged is pivoted to the base in such manner that when the mould is turned over for the extraction of the block the block is drawn clear of the fixed side and remains undamaged.

[NOTE.—The above extract from the specification is inserted in place of the claims.]

(Specification, 4s.)

No. 27631.—27th April, 1910.—GEORGE LEIST, of 17 Mansfield Street, Glebe Point, near Sydney, New South Wales, Australia, Merchant (nominee of the Schneide-Maschinenfabrik Graff and Stein, of Witten-on-Ruhr, Germany—assignees of Friedrich Graff, of Witten-on-Ruhr, Germany, Manufacturer). Improvements in machines for slicing meat.

Extract from Specification.—The invention comprises a horizontal cutting-disc or knife keyed or otherwise secured to a vertical spindle, and rotated through worm or other gearing by means of a crank on a horizontal spindle. The platform or table for supporting the meat is stationary, but is capable of adjustment as to height in order to vary the thickness of the cut. The meat is placed on the platform, and lightly supported there against the knife by one hand of the operator while the other hand is turning the crank-handle. I may, however, rotate the knife by a small dynamo or other power. The knife, except opposite the table, is protected by a guard or cover to prevent accidents, and the adjustment of the table is effected by a lever and cam.

[NOTE.—The above extract from the specification is inserted in place of the claims.]

(Specification, 3s. 6d.)

No. 27837.—18th June, 1910.—ARTHUR HENRY HALE, of 27 Taonui Street, Palmerston North, New Zealand, Inventor, and FREDERICK JOSEPH NATHAN, of Broad Street, Palmerston North aforesaid, Inventor. A hot-water circulator for general use heated by waste gases from exhaust-pipe connected with petrol and gas engines.

Extract from Specification.—According to our invention, the exhaust-pipe from the engine passes through the middle of a heater-cylinder, and a water-pipe from the cooling-water system of the engine is led through the exhaust-pipe and into the heater-cylinder. The heated water is withdrawn through a pipe at the opposite end of the heater-cylinder. A branch pipe from a cold-water supply is connected to the said water-pipe before it enters the heater-cylinder, so that cold water may be added to the water coming from the engine, or the water from the engine entirely dispensed with.

[NOTE.—The above extract from the specification is inserted in place of the claims.]

(Specification, 3s. 3d.)

No. 27877.—9th June, 1910.—CHARLES BOWTELL SMITH, of Crawford Street, Dunedin, New Zealand, Master Printer. Improved counter-sales check-book.

Claims.—(1.) In a counter-sales check-book, in combination with same, a distinguishing letter-number on each invoice and its duplicate, as well as the page-number on each, all substantially as shown on the drawing and as described and explained. (2.) A distinguishing mark, letter, or number, or combination of these, as well as the number of each page, to be printed on each invoice-page and its duplicate, all substantially as set forth.

(Specification, 3s. 6d.)

No. 27917.—28th June, 1909.—HUBERT PEARCE, of 3 Oakhall Road, Wanstead, Essex, England, Engineer, and WILLIAM BARRATT, of 6 Thirlmere Road, Muswell Hill, Middlesex, England, Engineer. Improvements in and in apparatus for aerating liquids.

[NOTE.—This is an application under section 98 of the Act, the date given being the official date of the application in Great Britain.]

Claims.—(1.) The process described for aerating liquids, which consists in admitting the aerating gas to the underside of a baffle-plate having minute perforations therein, and arranged beneath an aerating-chamber formed of or containing an open-ended tube or tubes or compartments, to hold the liquid to be aerated, each tube or compartment being of considerable height relatively to its diameter and opening above into a gas-chamber of approximately the same capacity as that of the tube, tubes, or compartments, and having a pressure-release snifting-device, substantially as described and for the purposes stated.

[NOTE.—Here follow three other claims.]

(Specification, 8s. 6d.)

No. 27942.—21st June, 1910.—P. AND D. DUNCAN, LIMITED, of Christchurch, New Zealand, Agricultural Engineers. An improved flexible harrow.

Claims.—(1.) A flexible harrow comprising sections, shackles secured to the rear of the sections, and hooks secured to the front of the sections by teeth passing through the sections, shackles, and hooks, and fastened by nuts, as set forth. (2.) In a flexible harrow composed of sections and links, each section and link having legs of different lengths, and teeth secured to the sections in the positions described, as set forth. (3.) In a flexible harrow, the employment of hooks upon the front of the sections and engaging the links, as set forth.

[NOTE.—Here follow four other claims.]

(Specification, 3s. 6d.)

No. 27954.—22nd June, 1910.—NATIONAL CAR ADVERTISING COMPANY, a corporation duly organized under the laws of Delaware, with offices at 115 Adams Street, Chicago, Cook, Illinois, United States of America (assignees of Marselius Thurston Ash, Engineer, of 115 Adams Street, Chicago, Cook, Illinois, United States of America). Display or advertising devices.

Claims.—(1.) In combination, a plurality of frames, vertically adjustable members on said frames, a track for supporting

said frames, and a carrier connected to said members for moving said frames along said track. (2.) In combination, a plurality of frames, vertically adjustable rods on said frames, a track for supporting said frames, and a flexible carrier connected to the lower ends of said rods for moving said frames along said track. (3.) In combination, a plurality of frames, vertically adjustable rods mounted on said frames, a track for supporting said frames, and a flexible chain secured to the lower ends of said rods moving said frames along said track, said rods forming pivots between certain of the links of the chain.

[NOTE.—Here follow fifteen other claims.]

(Specification, 13s. 6d.)

No. 28011.—30th June, 1910.—HARRY WALTON BLAND and JAMES YOUNG, of 281 Collins Street, Melbourne, Victoria, Australia, Commission Agents. Improvements in self-heating burning-off and brazing tools and the like.

Claims.—(1.) In self-heating burning-off and brazing tools and the like, a liquid-fuel reservoir having a burner attached thereto, one or more flat chambers interposed between said reservoir and burner, and tubes connected to said chamber or chambers and arranged to communicate with said reservoir and burner, substantially as described.

[NOTE.—Here follow seven other claims.]

(Specification, 8s.)

No. 28038.—6th December, 1909.—RALPH FALKINER, Pastoralist, and PAUL BOLL, Electrical Engineer, both of 175 William Street, Melbourne, Victoria, Australia. Improved mechanism for portable shearing or clipping machines.

[NOTE.—This is an application under section 98 of the Act, the date given being the official date of the application in Australia.]

Extract from Specification.—Comprises a petrol or other internal-combustion engine mounted in a rectangular framework, the corners of which project upwardly and outwardly and are fitted with bearings to carry correspondingly inclined spindles, the lower ends of which are fitted with conical friction pinions, whilst the upper ends are fitted with a universal joint to communicate motion to another shaft or spindle depending therefrom and adapted to convey motion to the handpiece through another universal joint.

[NOTE.—The above extract from the specification is inserted in place of the claims.]

(Specification, 5s.)

No. 28081.—15th July, 1910.—HUTCHINSON'S SCALES COMPANY, LIMITED, a company duly incorporated under the Companies Act of New Zealand, and having its registered office at Hereford Street, Christchurch, in the Provincial District of Canterbury, in the Dominion of New Zealand (assignees of George Hutchinson, of Christchurch, Engineer). Improvements in scales.

Extract from Specification.—This invention relates to dial scales of that class in which the load to be weighed and a constant resistance weight each exert a torque upon a horizontal spindle, the ratio of the forces thus exerted altering for different angles of rotation of the spindle, whereby equilibrium is obtained at different angles of rotation of the spindle between a diversity of loads and the resistance weight, a pointer either directly or indirectly actuated by the spindle indicating upon a dial by its angular positions the weight of each load. In scales of this class hitherto known, the resistance weight has been a heavy arm rigidly fixed to the spindle and tending to hang below it, and mechanism has caused a diversity of loads to be weighed to deflect the heavy arm in greater or less degree, according to their mass. In some of the scales just described, equal spacing has been attained—that is to say, each repeated addition of a given weight has caused the pointer to move through the same angular distance as was caused by preceding such additional weight, throughout the range of the dial, by fixing a cam upon the spindle and by causing the load to be weighed to pull upon a strap, the strap winding and unwinding upon the face of the cam rotates the cam and spindle, and consequently deflects the heavy arm, the cam being specially shaped to correct tendencies to uneven spacing by presenting to the strap different radii or offset distances, and consequently increasing or decreasing the torque of the strap, for different angular positions of the cam. Following upon my previous New Zealand patents, Nos. 24588 and 26223, the above principle is shown applied more widely to scales of various forms and for various commercial purposes. The

resistance weight, above referred to as the distinctive feature of this class of scale, is in these drawings shown indifferently in either of its two leading known forms—namely, as a heavy arm pivoted upon and hanging below the spindle, hereinafter called a deflection weight, and as a weight hanging from a strap which winds and unwinds upon a disc fixed to the spindle, hereinafter called a strap weight. My invention provides an improved construction whereby scales as above described are rendered more sensitive, and truly and simply adjustable. My invention further provides improved means for correcting the lining of the knife-edges, which operation is of paramount importance in this class of scales, wherein the scale-beam oscillates through a wide angle. My invention further provides improved means for applying loose weights for increasing the weighing-capacity of scales of this class.

[NOTE.—The above extract from the specification is inserted in place of the claims.]

(Specification, £3 7s. 6d.)

No. 28094.—15th July, 1910.—EDWIN BAXTER HARDIE, of Wangaloa, New Zealand, Farm-manager. Improved double wire-netting clip fastener.

Claims.—(1.) In a wire-netting fence, double-ended clips formed with a double loop at the upper end and a hook at the lower end to secure said netting to strong stretched wires, all substantially as shown on the drawing, and as described and explained. (2.) In a fence of wires and wire-netting, in combination, a clip bent to two loops and opened Y-shape at the top end and with a hook at the lower end, for securing the netting to a wire at the top, with a long point to enter the ground, all substantially as set forth. (3.) In wire-netting fences, clips securing same to wires and made to loop and hook on for keeping same in position, all substantially as set forth.

(Specification, 2s. 6d.)

No. 28096.—15th July, 1910.—ANDREW CARRUTHERS NICHOLSON, of Dunedin, New Zealand, Engraver. Improvements in condiment-containers.

Claims.—In condiment-containers of the class described, a hinged flap or auxiliary cover pivotally attached to the main cover of the said container, substantially as described. (2.) In condiment-containers of the class described, the combination of a caster divided into compartments, with a stand, the base thereof being a vessel, substantially as described, and as illustrated in the drawings. (3.) The general arrangement and combination of parts comprising my improvements in condiment-containers, substantially as described in the specification, and as illustrated in the drawings.

(Specification, 3s. 9d.)

No. 28100.—18th July, 1910.—ALBERT JONAS DAY, of Christchurch, Canterbury, New Zealand, Moulder. An improved combination boot-polish, outfit-holder, and foot-rest.

Extract from Specification.—The stand comprises supports 1 and 2, united by cross-pieces 3 and 4, and carrying a head-piece 5, on which the foot rests when cleaning a boot thereon. The supports 1 and 2 have pivoted legs 6 and 7, and for keeping the rest firm when in use the upper ends of the legs bear upon the cross-piece 3. At one end of the head-piece a clip 8 is fixed at one end by a screw 9 to the head-piece 5. The clip is shaped to hold a tin of polishing-paste, and the free end of the clip is bent into a loop 10 for holding a candle. The cross-piece 4 is provided with spring clips 11 for gripping brushes or other accessories against the cross-pieces 3 and 4.

[NOTE.—The above extract from the specification is inserted in place of the claims.]

(Specification, 2s.)

No. 28114.—28th July, 1909.—ARTHUR GEORGE KENT-JOHNSTON, of Balham, London S.W., Mining Engineer. An improved method for displaying posters, pictures, notices, or similar matter.

[NOTE.—This is an application under the International and Inter-colonial Arrangements, the date given being the official date of the application in Great Britain.]

Claims.—(1.) An advertisement and the like displaying machine of the type herein indicated in which the blinds are

wound upon rollers which carry one or more toothed wheels adapted to engage in one or more fixed racks, whereby the operation of winding up the blinds upon the rollers is positively effected, substantially as and for the purposes described.

[NOTE.—Here follow four other claims.]

(Specification, 7s. 9d.)

No. 28214.—3rd August, 1910.—FREDERICK ANDREWS, of Mercer, New Zealand, Farm-manager. An improved marking-device for attachment to the ears of animals.

Claims.—(1.) In a device of the class described, a disc or plate having a tubular shank adapted to be passed through a hole in the ear, and a washer adapted to be placed upon the end of the shank, where it is secured by burring the end of the shank by means of a reamer working with a rotary action, the portion of the said shank which joins the plate being fluted, squared, starred, or otherwise formed for the purpose of providing a grip to prevent turning, substantially as and for the purpose set forth. (2.) The improved marking-device for attachment to the ears of animals, substantially as described and explained, and as illustrated in the drawings.

(Specification, 3s. 9d.)

Copies of drawings may be obtained at the uniform price of 1s. each. In exceptional cases this price may be increased at the discretion of the Office.

An asterisk (*) denotes the complete specification of an invention for which a provisional specification has been already lodged.

NOTE.—The cost of copying the specification has been inserted after the notice of each application. An order for a copy or copies should be accompanied by a post-office order or postal note for the cost of copying.

The date of acceptance of each application is given after the number.

Extracts from the drawings accompanying the foregoing complete specifications appear at the end of this *Gazette*.

J. C. LEWIS,
Registrar.

Provisional Specifications accepted.

Patent Office,
Wellington, 24th August, 1910.

APPLICATIONS for Letters Patent, with provisional specifications, have been accepted as under:—

- No. 27825.—G. W. K. Morley, mixing-machine. (Mjolkknings maskin Aktiebolaget—G. Dalen.)
- No. 27911.—A. G. McPhail, clothes-peg.
- No. 27915.—W. Seifert, flax-catcher.
- No. 28009.—W. and H. Seifert, flax-catcher.
- No. 28015.—C. S. Booth, fibre-washing machine.
- No. 28039.—W. Seifert, flax-catcher.
- No. 28043.—A. L. J. Tait, aviation vessel, &c.
- No. 28051.—A. Carron, wood, canvas, &c., treatment.
- No. 28052.—S. Johnson, gold recovery from sand.
- No. 28060.—United Shoe Machinery Company, sheet material cutting-die. (T. Lund.)
- No. 28061.—United Shoe Machinery Company, top-lift. (T. Lund.)
- No. 28062.—P. E. Petherick and A. R. Shephard, cinematograph apparatus.
- No. 28066.—A. I. Jones, vehicle-brake.
- No. 28070.—T. Taylor, hurdle.
- No. 28074.—W. T. G. Pinches, building construction. (W. Pinches.)
- No. 28076.—D. McLeod, candle-stick.
- No. 28077.—J. Fraser, draught and dust excluder.
- No. 28080.—H. H. C. Schulze, liquid-manure distributor.
- No. 28085.—W. J. Johnson, motor-driven sewing-machine.
- No. 28086.—W. J. Johnson, motor-driven sewing-machine.
- No. 28088.—A. V. Philip, legging-blocking machine.
- No. 28099.—W. Tinline, clipping-machine comb and cutter sharpener.
- No. 28101.—M. F. Martensen, step-ladder.
- No. 28104.—A. C. J. Cuddy, rail, &c., lifter.
- No. 28105.—J. Jonson, candle-extinguisher.
- No. 28107.—United Shoe Machinery Company, boot-machine. (F. E. Bertrand.)

- No. 28108.—United Shoe Machinery Company, trimming-machine. (F. H. Perry.)
 No. 28109.—United Shoe Machinery Company, sewing-machine. (A. Eppler.)
 No. 28110.—United Shoe Machinery Company, channel-guide mechanism. (E. E. Winkley and A. Eppler.)
 No. 28111.—United Shoe Machinery Company, tension device. (W. C. Meyer and C. P. Holmes.)
 No. 28112.—United Shoe Machinery Company, leather-cutter. (J. B. Hadaway.)
 No. 28116.—C. G. Foxcraft, window-lock.
 No. 28118.—Marks High Speed Reversible Turbine Company, Limited, turbine. (H. Beaney.)
 No. 28121.—G. Massey, sheep-shearing machine.
 No. 28123.—W. A. Attenborough, alarm and steering-gear, &c., for ships.
 No. 28124.—United Shoe Machinery Company, shuttle tension-device. (J. L. Dow.)
 No. 28125.—C. H. Fabian, skylight.
 No. 28127.—C. McIntyre, furnace air bridge.
 No. 28129.—A. E. Pownall, fibre-transmitter.
 No. 28142.—T. H. White, curtain-pole.
 No. 28145.—A. A. and C. V. Leman, cavity wall for concrete building.
 No. 28147.—W. M. Ross, egg-recorder.
 No. 28154.—R. L. Halpin, cake-tin.
 No. 28157.—S. Salek and J. E. Frost, despatch form, &c., folding machine.
 No. 28158.—A. James, totalisator.
 No. 28162.—J. and T. Anglin, paint.
 No. 28164.—G. Gibbs, beer-cooler.
 No. 28184.—J. E. C. Brown, explosive engine.

[NOTE.—Provisional specifications cannot be inspected, or their contents made known by this office in any way, until the complete specifications in connection therewith have been accepted.]

Letters Patent sealed.

- L**IST of Letters Patent sealed from the 5th to the 13th August, 1910, inclusive:—
- No. 25877.—J. M. Thomson, game apparatus.
 No. 25880.—T. Firth, window-locking device.
 No. 26061.—H. P. W. Esping, liquid-raising apparatus.
 No. 26126.—D. Hagarty, plough.
 No. 26136.—D. Kay, bag-holder for chaff-cutter.
 No. 26263.—C. Young, collar for draught animals.
 No. 26270.—United Shoe Machinery Company, turnshoe re-forming machine. (A. Bates and H. E. Cooper.)
 No. 26359.—J. Bate, fibre-drying machine.
 No. 26391.—T. Parker, coal, &c., distillation.
 No. 26583.—J. Bate, flax-washing machine.
 No. 26644.—C. O. Bastian, transforming electrical energy into heat energy.
 No. 26700.—C. V. Roberts, game.
 No. 27066.—S. I. J. Wolf, demonstrating value of notes of music.
 No. 27214.—S. Hardley, milk cooler and aerator.
 No. 27312.—E. C. Hennequin, music-leaf turner.
 No. 27358.—R. Massey, attaching collars to shirts, &c.
 No. 27517.—A. McLennan, leather-treatment.
 No. 27519.—American Box Ball Company, amusement apparatus (J. I. Halcomb, D. H. Talbert, C. Shaw, and J. F. Hoke, jun).
 No. 27521.—H. H. White, automobile wind-shield.
 No. 27539.—T. J. F. Ryland and E. S. Louis, expanding pulley.
 No. 27548.—N. Barnewell, scrub-destroyer.
 No. 27549.—A. E. Partington, electric-circuit cut-out.
 No. 27550.—W. A. Shephard, door-stop.
 No. 27551.—G. E. Anderson, milking-apparatus.
 No. 27582.—G. S. Baker, baker's oven.
 No. 27583.—T. W. Simpson, bottle-manufacturing machine.
 No. 27588.—J. M. Tourtel, adding and printing machine.
 No. 27589.—P. W. Cook, reinforced-concrete construction.
 No. 27590.—L. Fulda, food-preservation.
 No. 27591.—C. E. Hibberd, gas-meter.
 No. 27611.—G. Kochendorffer, bottling-machine.
 No. 27676.—W. Franklin, carpet-exhibiting apparatus.

Letters Patent on which Fees have been paid.

[NOTE.—The dates are those of the payments.]

SECOND-TERM FEES.

- N**O. 21635.—J. R. Parks, ore-treatment. 12th August.
 No. 21663.—L. B. de Laitte, carburetter. 16th August.
 No. 21897.—Ridd Milking Machine Company, Limited, milking-machine. (A. Ridd.) 17th August.
 No. 21904.—G. T. Booth, flax-stripper. 18th August.
 No. 21910.—G. Gray, coulter-clamp. 9th August.
 No. 21940.—J. and A. Burfoot, pneumatic wheel. 18th August.
 No. 21946.—L. Rissmuller, drying, grinding, &c., apparatus. 18th August.

THIRD-TERM FEES.

- No. 16781.—Budge Patent Music Leaf Turner, Limited, music-leaf turner. (G. S. Budge.) 11th August.
 No. 16837.—The Moore Filter Company, filter. (G. Moore.) 18th August.
 No. 16874.—W. H. Dunk, taper-shaping machine. 17th August.

Subsequent Proprietors of Letters Patent registered.

[NOTE.—The name of the former proprietor is given in brackets; the date is that of registration.]

- N**O. 11970.—Booth, Macdonald, and Company, Limited, a company duly incorporated under the Companies Act of New Zealand, and carrying on business at Christchurch, New Zealand, Engineers, registered as proprietors of the share of A. I. Hulme. Baker's oven. (A. I. Hulme and W. Thomson.) 10th August, 1910.
 No. 17822.—Arthur Harry Wright, of Dunedin, New Zealand, Commercial Traveller. Franking-machine. (R. Wales.) 15th August, 1910.
 No. 22682.—John Brown, of Auckland, New Zealand, Motor-tire Manufacturer. Tire. (T. S. Skeates.) 12th August, 1910.
 No. 25071.—John Wilson, of Auckland, in the Dominion of New Zealand, Lime Merchant. Building-plaster. (J. Mitchell.) 9th August, 1910.
 No. 25135.—Francis Harrison, of 14 Ossian Road, Stroud Green, London, England, Electrical Engineer, registered as proprietor of the interest of C. H. Dorman. Producing tungsten metal combinations. (F. Harrison and C. H. Dorman.) 12th August, 1910.
 No. 25331.—Casein and Milk Industries, Limited, of 58 Coleman Street, London, England, Manufacturers. Manufacture of casein. (C. A. Baechler.) 12th August, 1910.
 No. 25544.—The Mederer Chilling and Preserving Chamber, Limited, a company with limited liability registered in the Transvaal under the Companies Act, 1909, and having its registered office at Lace Building, Fox Street, Johannesburg, Transvaal. Cooling-chamber. (M. Mederer.) 10th August, 1910.
 No. 26271.—United Shoe Machinery Company, of Paterson, in the State of New Jersey, in the United States of America, a corporation duly organized under the laws of said State of New Jersey, and having a place of business at 205 Lincoln Street, in Boston, Massachusetts, United States of America. Method of making dies. (J. M. Lynch.) 10th August, 1910.
 No. 27167.—Richard Hadfield, of Christchurch, New Zealand, Hotelkeeper, and Clifford Voice, of Christchurch aforesaid, Wheelwright, registered as proprietor of a two-thirds interest. Acetylene-generator. (G. L. Burton.) 12th August, 1910.
 No. 27167.—Richard Hadfield, of Christchurch, New Zealand, Hotelkeeper, registered as proprietor of the one-third interest of G. L. Burton. Acetylene-generator. (G. L. Burton.) 12th August, 1910.
 No. 27279.—William Edward Outred, of O'Connell Street, Sydney, New South Wales, Australia, Accountant, registered as proprietor of one-third share. Locomotion-recorder for road-vehicle. (F. Baumgaertner.) 15th August, 1910.
 No. 27279.—William George Cains, of Pitt Street, Sydney, New South Wales, Australia, Chemist, registered as proprietor of two-thirds share. Locomotion-recorder for road-vehicle. (F. Baumgaertner.) 15th August, 1910.

Requests for Amendment of Specifications allowed.

THE requests to amend specification No. 23770—A. Smail, milking machinery (advertised in Supplement to *New Zealand Gazette*, No. 54, of the 2nd June, 1910); and specification No. 25425—A. L. J. Tait, flax-dressing machine (advertised in Supplement to *New Zealand Gazette*, No. 54, of the 2nd June, 1910)—have been allowed.

Applications for Letters Patent abandoned.

LIST of applications, with which provisional specifications only have been filed, abandoned (*i.e.*, complete specifications not lodged) from the 6th to the 19th August, 1910, inclusive:—

- No. 26688.—G. H. and T. W. Deeley, railway-crossing-gate opener.
- No. 26685.—C. S. Trillo, door closing and locking device.
- No. 26688.—J. R. L. Freeman, fruit-tree sprayer.
- No. 26690.—J. Leonard, wall-bracket.
- No. 26699.—H. Greig, flax-stripper beater-bar.
- No. 26701.—J. Bain, animal-trap.
- No. 26703.—W. Withell and H. Fisher, flying-machine.
- No. 26704.—E. J. Walsh, semaphore-signal actuating.
- No. 26707.—R. A. Dexter, motor-wheel.
- No. 26708.—A. H. Cotton, air-ship.
- No. 26709.—F. J. Northcutt and C. M. Lewin, milking-machine.
- No. 26711.—R. Natusch, potato-digger.
- No. 26713.—H. N. Mills, sen., sheep brand. (H. N. Mills, jun., and W. S. Mills.)
- No. 26715.—W. Reeves, tobacco-cutter.
- No. 26720.—A. McFarlane, gold-saving apparatus.
- No. 26723.—G. Walker and C. R. Bell, flax-bleaching.
- No. 26724.—R. S. Rutherford, marine-engine governor.
- No. 26726.—J. Low, stripping flax.
- No. 26727.—L. McCarthy, stripping flax.
- No. 26729.—P. Wright, charcoal-kiln. (R. Wright).
- No. 26745.—W. D. and M. Scawn, polishing composition.
- No. 26759.—G. S. Langford, rope-grip.
- No. 26765.—W. Beamish, water-flush.

Applications for Letters Patent void.

APPLICATIONS for Letters Patent, with which complete specifications have been lodged, void owing to non-acceptance of such complete specifications, from the 6th to the 19th August, 1910, inclusive:—

Nil.

Applications for Letters Patent lapsed.

APPLICATIONS for Letters Patent lapsed, owing to Letters Patent not being sealed, from the 6th to the 19th August, 1910, inclusive:—

- No. 25540.—H. P. Evans, fish-preserving process.
- No. 25558.—W. Morton, paddle-wheel float.
- No. 25572.—J. B. Kelly, water-purifier.

Letters Patent void.

LIST of Letters Patent void through non-payment of renewal fees, and through expiry of term of fourteen years, from the 6th to the 19th August, 1910, inclusive:—

THROUGH NON-PAYMENT OF SECOND-TERM FEES.

- No. 21100.—S. J. E. Jorgensen, cargo-lifting, &c., gear.
- No. 21101.—F. J. McCarty, telephone.
- No. 21102.—A. S. Heideman, railway, &c., point operating.
- No. 21105.—G. Miller, H. C. Walch, and P. O. Fyeh, spring catch. (G. Miller and H. C. Walch.)
- No. 21107.—J. Logan and J. M. Landon, paper-manufacture.
- No. 21108.—L. H. Hicks and A. N. Cooke, boot-tip.
- No. 21113.—C. J. Walker, single-soled footwear.
- No. 21119.—H. Trinder and F. C. Engeler, gold-saving table.
- No. 21120.—T. R. Morris, folding-box.
- No. 21122.—D. McKinnon, seed-sower.
- No. 21123.—F. A. Lakin, fencing-wire clip.
- No. 21125.—V. Bordigoni, destruction of fecal matter, &c.
- No. 21127.—H. Daniels, potato digger and grader.
- No. 21140.—F. H. Mingay, golf-ball.
- No. 21142.—T. E. Taylor, tram-track cleaner.
- No. 21150.—R. W. Jeffrey, bucket-hauling device. (J. H. Pickles.)
- No. 21151.—Ideal Pea Sheller Company, green-pea sheller. (E. McLelland—J. Cuthbert.)
- No. 21153.—T. I. Roberts, door-lock.

B

- No. 21154.—R. M. Jolly, separating tin from tinned iron.
- No. 21158.—F. W. E. Gabriel, turnstile.
- No. 21159.—A. E. Luttrell, rotary pump.
- No. 21165.—International Harvester Company of America, mowing-and-reaping machine finger attachment. (J. D. Bywater.)
- No. 21166.—F. H. Trevellian, cash-register.
- No. 21168.—N. Guthridge, ore-concentrator self-lubricating, &c., motion. (W. L. and F. S. Card.)
- No. 22728.—H. W. Dover, pneumatic tire.

THROUGH NON-PAYMENT OF THIRD-TERM FEES.

- No. 16308.—A. J. and J. Tonge and E. Eaves, hydraulic press and pump.
- No. 16326.—C. C. L. G. Budde, food-sterilizing method.
- No. 16330.—C. B. Smith, counter check sales-book. (E. M. Wildey.)
- No. 16332.—A. Moul, target.
- No. 16335.—C. A. Parsons, turbine.
- No. 16341.—Ivel Agricultural Motors, Limited, motor-tractor. (D. Albone.)
- No. 16353.—C. F. Bünz, medical instrument. (F. J. Rottman and H. Geissler.)

THROUGH EXPIRY OF TERM.

- No. 8707.—H. Morrison, breaking up surfaces of roads.
- No. 8709.—E. M. Smith, fuel for smelting purposes.
- No. 8710.—E. M. Smith, smelting New Zealand iron-sand.
- No. 8711.—E. M. Smith, utilizing New Zealand iron-sand.
- No. 8714.—C. A. MacDonald, cooling and drying air.
- No. 8747.—L. Boltée, self-propelled vehicle.

Designs expired.

THE copyright in the following designs has expired:—

- No. 238.—T. R. Alexander, Class 1.
- No. 239.—H. E. Shacklock, Limited, Class 1.

Applications for Trade Marks filed.

LIST of applications for registration of Trade Marks filed from the 6th to the 19th August, 1910, inclusive:—

- No. 8929.—5th August.—F. Henry, "T. and W. Henry," Manchester, Eng. Class 3.
- No. 8930.—5th August.—D. A. MacLaurin, Auckland, N.Z. Class 42.
- No. 8931.—5th August.—P. Hayman and Co., Wellington, N.Z. Class 39.
- No. 8932.—6th August.—H. Sibun and A. S. Kent, Petone, N.Z. Class 42.
- No. 8933.—6th August.—Dent, Allcroft, and Co., London, Eng. Class 38.
- No. 8934.—8th August.—H. F. Stevens, Christchurch, N.Z. Class 2.
- No. 8935.—8th August.—Sharland and Co., Limited, Wellington, N.Z. Class 1.
- No. 8936.—9th August.—W. H. Steele, Dunedin, N.Z. Class 42.
- No. 8937.—9th August.—J. B. Brooks and Co., Limited, Birmingham, Eng. Class 49.
- No. 8938.—10th August.—A. E. Usherwood and Co., Dunedin, N.Z. Class 47.
- No. 8939.—11th August.—H. O. Wiles, Auckland, N.Z. Class 3.
- Nos. 8940, 8941, 8942.—11th August.—Hannov Gummi-Kamm Company, Actien Gesellschaft, Hannover-Limmer, Ger. Class 40.
- No. 8943.—12th August.—L. A. Nicholls, Kyabram, Vic. Class 13.
- No. 8944.—12th August.—Ellis and Manton, Wellington, N.Z. Class 42.
- Nos. 8945, 8946.—15th August.—W. Brass, London, Eng. Classes 3 and 48.
- No. 8947.—15th August.—Australian Kodak, Limited, Wellington, N.Z. Class 1.
- No. 8948.—15th August.—Cathie and Sons, Limited, Wellington, N.Z. Class 38.
- No. 8949.—17th August.—C. J. Badham, Dunedin, N.Z. Class 50.
- No. 8950.—17th August.—Langdown and Son, Limited, Christchurch, N.Z. Class 42.
- No. 8951.—17th August.—Buzacott and Co., Limited, Sydney, N.S.W. Class 7.
- No. 8952.—18th August.—A. J. Bulloch, Auckland, N.Z. Class 18.
- Nos. 8953, 8954.—18th August.—Ellingham and Co., Limited, Auckland, N.Z. Classes 39 and 42.
- No. 8955.—18th August.—H. P. Swan, Dannevirke, N.Z. Class 50.
- No. 8956.—19th August.—The Gramophone Company, Limited, London, Eng. Class 8.

Applications for Registration of Trade Marks.

Patent Office,
Wellington, 24th August, 1910.

APPLICATIONS for registration of the following Trade Marks have been received. Notice of opposition to the registration of any of these applications may be lodged at this office within two months of the date of this *Gazette*. Such notice must be in duplicate, and accompanied by a fee of £1.

No. of application: 7939.

Date: 7th April, 1909.

TRADE MARK.



The essential particular of this trade mark is the combination of devices; and any right to the exclusive use of the added matter is disclaimed.

NAME.

ROBERT HENRY LUCAS and CHARLES FREDERICK MOUNTAIN, trading as "Scott Manufacturing Company," of 73 Flemington Road, North Melbourne, Victoria, Australia.

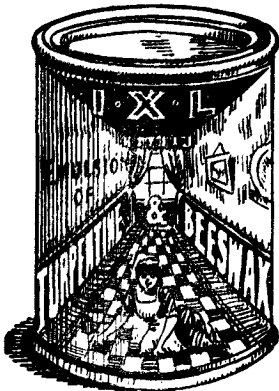
No. of class: 50.

Description of goods: Boot and shoe polish.

No. of application: 7940.

Date: 7th April, 1909.

TRADE MARK.



The essential particular of this trade mark is the combination of devices; and any right to the exclusive use of the added matter is disclaimed.

NAME.

ROBERT HENRY LUCAS and CHARLES FREDERICK MOUNTAIN, trading as "Scott Manufacturing Company," of 73 Flemington Road, North Melbourne, Victoria, Australia.

No. of class: 50.

Description of goods: Floor-polish.

No. of application: 8118.

Date: 19th July, 1909.

TRADE MARK.

The word

EXMACURA.

NAME.

CHARLES AUGUSTUS FLETCHER, of Talavera Terrace, Wellington, in the Dominion of New Zealand, Chemist.

No. of class: 3.

Description of goods: Medicines for human use.

No. of application: 8529.

Date: 1st February, 1910.

TRADE MARK.



The applicants claim that the said trade mark has been used by them in respect of the articles mentioned from since before the 1st January, 1890.

NAME.

P. AND S. EVANS AND Co., LIMITED, of Avonside Tannery, Bristol, England, Tanners.

No. of class: 37.

Description of goods: Leather.

No. of application: 8653.

Date: 6th April, 1910.

TRADE MARK.



CROWN

The essential particulars of the trade mark are the following—(1) the device, (2) the word "Crown."

NAME.

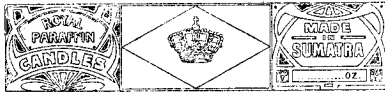
BATAAFSCHE PETROLEUM-MAATSCHAPPIJ, of Lange Vijverberg, No. 2, The Hague, Holland, Manufacturers.

No. of class: 4.

Description of goods: All sorts of oils and greases included in this class, all sorts of wax included in this class, and all products of oil and petroleum included in this class.

No. of application: 8657.
Date: 6th April, 1910.

TRADE MARK.



The essential particulars of the trade mark are the following—(1) the combination of devices, (2) the word "Royal"; and any right to the exclusive use of the added matter is disclaimed.

NAME.

BATAAFSCHE PETROLEUM-MAATSCHAPPIJ, of Lange Vijverberg, No. 2, The Hague, Holland, Manufacturers.

No. of class: 47.
Description of goods: Candles.

No. of application: 8658.
Date: 6th April, 1910.

TRADE MARK.



The essential particulars of the trade mark are the following—(1) the combination of devices, (2) the word "Royal"; and any right to the exclusive use of the added matter is disclaimed.

NAME.

BATAAFSCHE PETROLEUM-MAATSCHAPPIJ, of Lange Vijverberg, No. 2, The Hague, Holland, Manufacturers.

No. of class: 47.
Description of goods: Candles.

No. of application: 8663.
Date: 6th April, 1910.

TRADE MARK.



The essential particulars of the trade mark are the following—(1) the device, (2) the word "Crown"; and any right to the exclusive use of the added matter is disclaimed.

NAME.

BATAAFSCHE PETROLEUM-MAATSCHAPPIJ, of Lange Vijverberg, No. 2, The Hague, Holland, Manufacturers.

No. of class: 47.
Description of goods: Candles.

No. of application: 8673.
Date: 12th April, 1910.

TRADE MARK.

The word

GARBIRNETT.

NAME.

G. GARNETT AND SONS, LIMITED, of Valley Mills, Harrogate Road, Apperley Bridge, near Bradford, Yorkshire, England, Worsted and Woollen Manufacturers.

No. of class: 34.
Description of goods: Cloths and stuffs of wool, worsted, or hair.
(By consent.)

No. of application: 8675.
Date: 12th April, 1910.

TRADE MARK.

The word

CASTLE.

NAME.

E. W. PIDGEON AND CO., LIMITED, Head Office, Christchurch, in the Dominion of New Zealand.

No. of class: 22.
Description of goods: All goods included in this class.
[NOTE.—Class 22 is for "Carriages such as railway-carriages, wagons, railway-trucks, bicycles, bath-chairs."]

No. of application: 8692.
Date: 27th April, 1910.

TRADE MARK.



The essential particular of this trade mark is the personal name "Shirley" printed in the particular manner shown.

NAME.

THE C. A. EDGARTON MANUFACTURING COMPANY, being a corporation organized under the laws of Massachusetts, and doing business at Shirley, Massachusetts, United States of America, Manufacturers.

No. of class: 38.
Description of goods: Suspenders and garters.

No. of application: 8714.

Date: 3rd May, 1910.

TRADE MARK.



The essential particulars of the trade mark are the following—the device and the word "Industria"; and any right to the exclusive use of the added matter is disclaimed.

NAME.

J. B. BROOKS AND Co., LIMITED, of Criterion Works, Great Charles Street, Birmingham, England, Manufacturers.

No. of class: 37.

Description of goods: All kinds of leather goods, including portmanteaux, bags, trunks, cases for wearing-apparel, dressing bags and cases, cycle-saddles, saddlery, harness, gun-cases, purses, pocket-books, writing-cases, belts, straps, rug-straps, braces, belts; cigar, cigarette, and match cases; luggage-labels, mill-bandings, dog-muzzles, dog-collars, and leather cycle accessories.

No. of application: 8779.

Date: 31st May, 1910.

TRADE MARK.

The word

GRAMOPHONE.

The essential particular of the trade mark is as follows—the word "Gramophone."

NAME.

THE GRAMOPHONE COMPANY, LIMITED, of 21 City Road, City and County of London, England, Manufacturers.

No. of class: 8.

Description of goods: Talking-machines, talking-machine parts, and talking-machine records.

No. of application: 8797.

Date: 10th June, 1910.

TRADE MARK.

The word

VIKING.

NAME.

WM. E. REYNOLDS AND Co., of 83 Bond Street, Dunedin, in the Dominion of New Zealand, Merchants.

No. of class: 42.

Description of goods: Cheese-rennet and cheese-colouring.

No. of application: 8861.

Date: 7th July, 1910.

TRADE MARK.



The applicants claim that the said trade mark has been used by them and their predecessors in business in respect of the article mentioned for upwards of thirty-four years before the 2nd day of September, 1889.

NAME.

JONES BROS., LIMITED, of 12 York Street, Manchester, England, Merchants and Manufacturers.

No. of class: 24.

Description of goods: Cotton piece-goods

No. of application: 8878.

Date: 15th July, 1910.

TRADE MARK.



The essential particular of the trade mark is as follows—the distinctive label.

NAME.

JOHN FERGUSON AND Co., of No. 136 Bishop Street, Port Dundas, Glasgow, in North Britain, and also of No. 34 Queen Street, Melbourne, in the State of Victoria and Commonwealth of Australia, Merchants and Indentors.

No. of class: 43.

Description of goods: Wines and spirits.

[NOTE.—This and the following application are regazetted on account of the blocks having been transposed in the notices in the previous Gazette.]

No. of application : 8879.
Date : 15th July, 1910.

TRADE MARK.



The essential particular of the trade mark is as follows—the distinctive label.

NAME.

JOHN FERGUSON AND Co., of No. 136 Bishop Street, Port Dundas, Glasgow, in North Britain, and also of No. 34 Queen Street, Melbourne, in the State of Victoria and Commonwealth of Australia, Merchants and Indentors.

No. of class : 45.

Description of goods : Tobacco, whether manufactured or unmanufactured.

[NOTE.—This and the preceding application are regazetted on account of the blocks having been transposed in the notices in the previous Gazette.]

No. of application : 8886.
Date : 19th July, 1910.

TRADE MARK.



NAME.

LEVER BROS., LIMITED, of Balmain, State of New South Wales, Commonwealth of Australia, Manufacturers.

No. of class : 50 (6).

Description of goods : Silversmiths' soap, furniture-cream, polishing-compounds, and materials for polishing or cleaning furniture, china, glass, and earthenware.

No. of application : 8893.
Date : 19th July, 1910.

TRADE MARK.

PINOL

The essential particular of the trade mark is the invented word "Pinol."

NAME.

LEVER BROS., LIMITED, of Balmain, State of New South Wales, Commonwealth of Australia, Manufacturers.

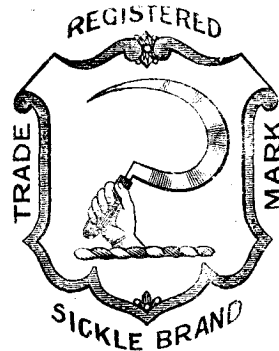
No. of class : 48.

Description of goods : Perfumed soap, perfumery, and glycerine for toilet purposes.

(By consent.)

No. of application : 8899.
Date : 26th July, 1910.

TRADE MARK.



The essential particulars of the trade mark are the following—(1) the device of the sickle held in a hand, (2) a shield bearing the said device, (3) the word "Sickle"; and any right to the exclusive use of the added matter is disclaimed.

NAME.

CUMING SMITH AND COMPANY PROPRIETARY, LIMITED, of 65 Williams Street, Melbourne, in the State of Victoria, Commonwealth of Australia, Manufacturers.

No. of class : 2.

Description of goods : Artificial manures, cattle medicines, deodorizers, disinfectants, formalin, vermin-destroyers, and all other chemical substances used for agricultural, horticultural, veterinary, and sanitary purposes.

No. of application : 8916.
Date : 29th July, 1910.

TRADE MARK

The word

MEDICO.

NAME.

W. G. DUDFIELD, of 112 Canterbury Road, Middle Park, Melbourne, Australia, Agent.

No. of class : 34.

Description of goods : Cloths and stuffs of wool, worsted, and hair, especially flannel piece-goods.

No. of application: 8918.

Date: 29th July, 1910.

TRADE MARK.



The essential particulars of this trade mark are the combination of devices and the word "Scout"; and applicants disclaim any right to the exclusive use of the added matter, except in so far as it consists of their name and address.

NAME.

TURNER AND GIMBLETT, of 62 Victoria Street West, Auckland, in the Dominion of New Zealand, Manufacturers.

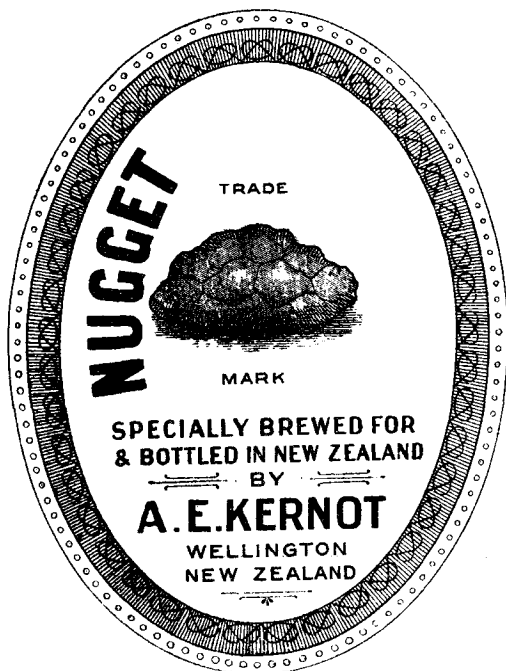
No. of class: 42.

Description of goods: Baking-powder, cordials, jelly-crystals, ginger, pepper, vinegar, tomato sauce, Worcester-shire sauce.

No. of application: 8925.

Date: 2nd August, 1910.

TRADE MARK.



The essential particulars of this trade mark are the device nugget and the word "Nugget"; and the applicant disclaims any right to the exclusive use of the added matter, except his name and address.

NAME.

ALFRED ERNEST KERNOT, of 111 Customhouse Quay, Wellington, in the Dominion of New Zealand.

No. of class: 43.

Description of goods: Ales and stouts.

No. of application: 8930.

Date: 5th August, 1910.

TRADE MARK.

The word

YANK-E-JACK.

The essential particulars of this trade mark are the peculiar spelling of the word "Yankee," and its compound with the word "Jack"; and any right to the exclusive use of the words "Yankee" and "Jack," except in said spelling of the former and its compound with the latter, is disclaimed.

NAME.

DONALD ALLAN MACLAURIN, of 110 Ponsonby Road, Auckland, in the Dominion of New Zealand, Manufacturing Confectioner.

No. of class: 42.

Description of goods: A confectionery specialty.

No. of application: 8931.

Date: 5th August, 1910.

TRADE MARK.

The word

DEFIANCE.

NAME.

P. HAYMAN AND Co., of Victoria Street, Wellington, in the Dominion of New Zealand, Merchants.

No. of class: 39.

Description of goods: Paper, stationery and book-bindings, envelopes, pens, ink, playing-cards, and all goods in this class.

No. of application: 8932.

Date: 6th August, 1910.

TRADE MARK.

The word

SILVADELLI.

NAME.

HARRY SEBUN AND A. S. KENT, of 259 Jackson Street, Petone, in the Dominion of New Zealand, Storekeepers.

No. of class: 42.

Description of goods: Tea in packets and tins.

No. of application: 8934.

Date: 8th August, 1910.

TRADE MARK.

The word

CARBOZONE.

The essential particular of this trade mark is the word (invented) "Carbozone."

NAME.

H. F. STEVENS, of 140 Worcester Street, Christchurch, in the Dominion of New Zealand, Wholesale Druggist.

No. of class: 2.

Description of goods: A disinfectant and blight-destroyer.

No. of application : 8935.
Date : 8th August, 1910.

TRADE MARK.
The word
MOTAX.

NAME.
SHARLAND AND Co., LIMITED, of Willeston Street, Welling-
ton, in the Dominion of New Zealand, Wholesale Chemists
and Druggists.

No. of class : 1.
Description of goods : Photographic chemicals.

No. of application : 8938.
Date : 10th August, 1910.

TRADE MARK.
The word
MOBOLINE.

NAME.
A. E. USHERWOOD AND Co., of Dunedin, in the Dominion
of New Zealand, Oil and Soap Manufacturers.

No. of class : 47.
Description of goods : Lubricating-oils.

No. of application : 8943.
Date : 12th August, 1910.

TRADE MARK.
The word
VERTOLLS.

The essential particular of the trade mark is the following
—the word "Vertolls."

NAME.
LEONARD ARTHUR NICHOLLS, of Kyabram, in the State of
Victoria, Commonwealth of Australia, Clerk.

No. of class : 13.
Description of goods : Lamp-brackets and supports for
lamps for road vehicles.

No. of application : 8944.
Date : 12th August, 1910.

TRADE MARK.
The words
ROWAN TREE.

NAME.
ELLIS AND MANTON, of Stout Street, Wellington, in the
Dominion of New Zealand.

No. of class : 42.
Description of goods : Butter.

No. of application : 8945.
Date : 15th August, 1910.

TRADE MARK.
WAIT-AND-SEE

NAME.
WILLIAM BRASS, of 13 and 14 Abchurch Lane, in the City
of London, England, Contractor.

No. of class : 3.
Description of goods : All goods included in this class.

[NOTE.—Class 3 is for "Chemical substances prepared for use in
medicine and pharmacy, such as cod-liver oil, medicated articles
patent medicines, plasters, rhubarb."]

No. of application : 8946.
Date : 15th August, 1910.

TRADE MARK.
WAIT-AND-SEE

NAME.
WILLIAM BRASS, of 13 and 14 Abchurch Lane, in the City
of London, England, Contractor.

No. of class 48.
Description of goods : All goods included in this class.

[NOTE.—Class 48 is for "Perfumery (including toilet articles, pre-
parations for the teeth and hair, and perfumed soap)."]

No. of application : 8947.
Date : 15th August, 1910.

TRADE MARK.
The word
ARTURA.

NAME.
AUSTRALIAN KODAK, LIMITED, of 6 Mercer Street, Wel-
lington, in the Dominion of New Zealand.

No. of class : 1.
Description of goods : Photographic chemicals.

No. of application : 8948.
Date : 15th August, 1910.

TRADE MARK.
The word
SINCERITY.

NAME.
CATHIE AND SONS, LIMITED, of Victoria Street, Wellington,
in the Dominion of New Zealand, Clothing-manufacturers
and Warehousemen.

No. of class : 38.
Description of goods : Clothing and men's and boys'
apparel.

J. C. LEWIS.
Registrar.

Trade Marks registered.

LIST of Trade Marks registered from the 6th to the 19th August, 1910, inclusive:—

- No. 6929/8516.—Fassett and Johnson. Class 3. (*Gazette* No. 54, of the 2nd June, 1910.)
 Nos. 6930/8638, 6931/8639.—F. Levic. Class 45. (*Gazette* No. 54, of the 2nd June, 1910.)
 No. 6932/8689.—Fassett and Johnston. Class 3. (*Gazette* No. 54, of the 2nd June, 1910.)
 Nos. 6933/8705, 6934/8706.—F. Levic. Class 45. (*Gazette* No. 54, of the 2nd June, 1910.)
 No. 6935/8716.—C. W. Bluemel and Bros. Class 50. (*Gazette* No. 54, of the 2nd June, 1910.)
 No. 6936/8720.—B. Barling and Sons. Class 50. (*Gazette* No. 54, of the 2nd June, 1910.)
 No. 6937/8721.—G. Bray and Co., Limited. Class 13. (*Gazette* No. 54, of the 2nd June, 1910.)
 No. 6938/8738.—Marsuma Company. Class 50. (*Gazette* No. 54, of the 2nd June, 1910.)
 No. 6939/8745.—Homophon Company, Gesellschaft mit beschränkter Haftung. Class 8. (*Gazette* No. 54, of the 2nd June, 1910.)
 Nos. 6940/8759, 6941/8760.—F. Dennison. Class 14. (*Gazette* No. 54, of the 2nd June, 1910.)
 Nos. 6942/8764, 6943/8765.—Seabury and Johnson. Class 11. (*Gazette* No. 54, of the 2nd June, 1910.)
 Nos. 6944/8768, 6945/8769.—The Sherwin-Williams Company. Class 1. (*Gazette* No. 54, of the 2nd June, 1910.)
 No. 6946/8776.—Sargood, Son, and Ewen, Limited. Class 38. (*Gazette* No. 54, of the 2nd June, 1910.)
 No. 6947/8754.—Smith and Co. Class 50. (*Gazette* No. 54, of the 2nd June, 1910.)
 No. 6948/8112.—E. F. Lutz. Class 3. (*Gazette* No. 63, of the 29th July, 1909.)
 No. 6949/8185.—Torries Limited. Class 44. (*Gazette* No. 78, of the 23rd September, 1909.)
 No. 6950/8189.—A. C. Lennard. Class 42. (*Gazette* No. 75, of the 9th September, 1909.)
 No. 6951/8451.—R. J. H. Hope. Class 2. (*Gazette* No. 54, of the 2nd June, 1910.)

Trade Mark Renewal Fees paid.

FEES paid for the renewal of the undermentioned Trade Marks for fourteen years from the date first mentioned:—

- No. 1784/1437.—12th August, 1910.—Champion and Co., London, Eng. 11th August.
 No. 1790/1461.—24th August, 1910.—Waitohi Co-operative Dairy Factory Company, Limited, Tuamarina, N.Z. 10th August.
 No. 1807/1582.—14th September, 1910.—G. E. Hatfeild, London, Eng. (G. Hatfeild and G. E. Hatfeild.) 17th August.
 No. 1824/1669.—10th October, 1910.—New Zealand Farmers' Dairy Union, Limited, Wellington, N.Z. 11th August.
 No. 1845/1603.—4th November, 1910.—A. and J. McFarlane, Dunedin, N.Z. 19th August.

Subsequent Proprietors of Trade Marks registered.

[NOTE.—The name of the former proprietor is given in brackets; the date is that of registration.]

- NOS. 399/434, 400/435, 1807/1582, 2293/1873, 2299/1879, 2300/1880, 2301/1881, 2302/1882, 2303/1883, 2304/1884, 2305/1885.—Gilliat Edward Hatfeild, trading as "Taddy and Co.," and as "James Taddy and Co.," of 45 Minories, London E., England, Tobacco-manufacturer. (G. and G. E. Hatfeild.) 17th August, 1910.
 No. 1769/1414.—Conrad William Schmidt (F. A. Glaeser), Limited, of Carpenter's Road, Stratford, London E., in England, Varnish, Japan, and Enamel Manufacturers. (C. W. Schmidt.) 9th August, 1910.
 No. 4075/3260.—Lysoform Gesellschaft mit beschränkter Haftung, whose registered office is situate at Bülowstrasse, 56 Berlin, in the Empire of Germany, Manufacturers of Disinfectants. (British Lysoform Company, Limited—Lysoform G. m. b. H.) 9th August, 1910.
 Nos. 4327/3360, 4328/3361, 4329/3362.—Wright, Layman, and Umney (1909), Limited, whose registered office is at No. 48 Southwark Street, in the County of London, England, Wholesale Druggists and Manufacturing Chemists. (Wright, Layman, and Umney, Limited.) 9th August, 1910.
 No. 8010/6816.—The Renzie Drug Company, Limited, a company duly incorporated under the Companies Act, 1908, having its registered office at No. 66 Lambton Quay, Wellington, New Zealand. (A. D. Sloane.) 9th August, 1910.
 No. 8126/6487.—John Wilson, of Auckland, in the Dominion of New Zealand, Lime Merchant. (J. Mitchell.) 9th August, 1910.

Trade Marks removed from the Register.

TRADE Marks removed from the Register owing to the non-payment of the renewal fee, from the 6th to the 19th August, 1910, inclusive:—

- No. 1692/1362.—6th May, 1896.—W. and G. Turnbull and Co., of Wellington, N.Z. Class 42.
 No. 1694/1369.—7th May, 1896.—A. Van Hoboken and Co., of Wijnhaven, Holland. Class 43.

Trade Mark restored to the Register.

THE following trade mark has been restored to the Register:—

- No. 1603/1299.—M. König, of Christchurch, N.Z. (Application for restoration advertised in Supplement to *New Zealand Gazette*, No. 69, of the 14th July, 1910.)

Request for Amendment of Trade Mark Application.

NO. 8467.—Stevenson and Howell, Limited. (Advertised in Supplement to *New Zealand Gazette*, No. 2, of the 13th January, 1910.)

To amend the statement of goods in the application by striking out the whole of the present description and substituting the words "Fruit essences and extracts for use in the manufacture of food or beverages."

Applications for Trade Marks abandoned or refused.

LIST of applications for registration of Trade Marks abandoned or refused from the 1st July to the 31st July, 1910, inclusive:—

- No. 7997.—25th May, 1909.—E. Varley and Co., of Auckland, N.Z. Class 42.
 No. 8073.—24th June, 1909.—A. L. Ross and Co., of Christchurch, N.Z. Class 50.
 No. 8093.—7th July, 1909.—A. and T. Burt, Limited, of Dunedin and elsewhere, N.Z. Class 18.
 No. 8096.—8th July, 1909.—C. F. Waldron, of Auckland, N.Z. Class 50.
 No. 8106.—12th July, 1909.—Neill and Co., Limited, of Christchurch, N.Z. Class 42.
 No. 8116.—19th July, 1909.—F. H. Cotton, of Christchurch, N.Z. Class 50.
 No. 8125.—22nd July, 1909.—Darling Proprietary, Limited, of Melbourne, Vic. Class 1.
 No. 8128.—23rd July, 1909.—F. B. Kynvett, of Auckland, N.Z. Class 6.
 No. 8149.—29th July, 1909.—G. M. Lee and G. Rennie, of Auckland, N.Z. Class 4.

Applications for Trade Marks withdrawn.

THE following applications for Trade Marks have been withdrawn:—

- No. 8773.—Sharland and Co., Limited. (Advertised in Supplement to *New Zealand Gazette*, No. 60, of the 16th June, 1910.)
 No. 8770.—Auckland Cake Company. (Advertised in Supplement to *New Zealand Gazette*, No. 54, of the 2nd June, 1910.)

Trade Mark Registration cancelled.

THE entry on the register in respect of the following trade mark has been cancelled:—

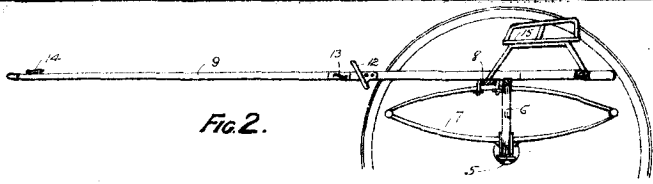
- No. 7623/6318.—Bryant and May, Limited. (Application and registration advertised respectively in Supplements to *New Zealand Gazette*, No. 21, of the 11th March, 1909, and No. 71, of the 26th August, 1909.)

Cancellation of Part of Entry of Trade Mark on the Register.

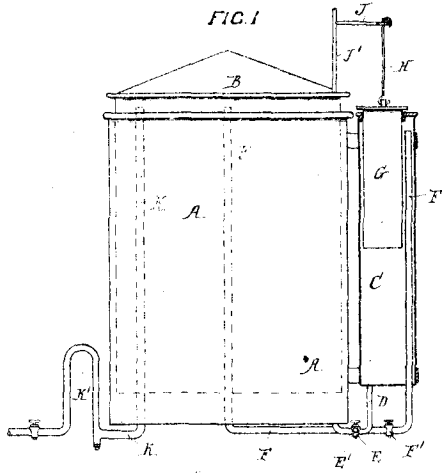
NO. 2862/2463.—E. H. Crease and Son, Limited. (Advertised in Supplement to *New Zealand Gazette*, No. 99, of the 23rd November, 1899). Part of the entry on the Register has been cancelled by the insertion, after the description of goods to which the mark is to be applied, of the words "nor cheese-ronnet and cheese-colouring or articles of the same description."

ILLUSTRATIONS OF INVENTIONS.

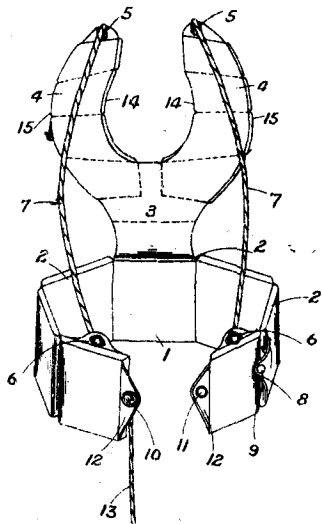
[These illustrations refer to the complete specifications accepted, and advertised in this *Gazette*.]



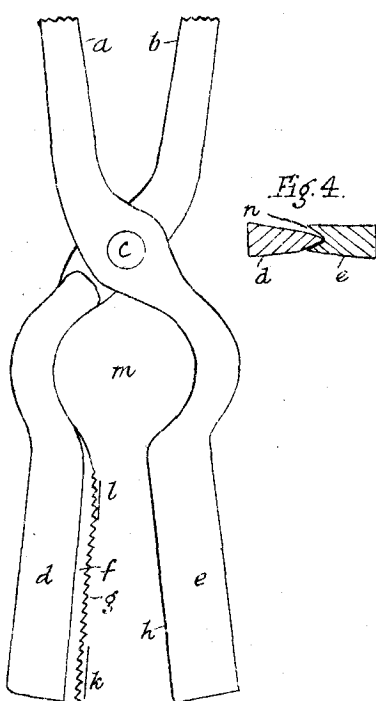
Sulky. Grogan. 26322.



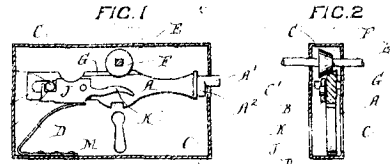
Acetylene-generator. McKenzie. 26394.



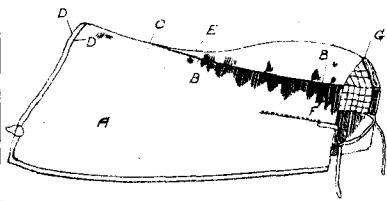
Life-belt. Moore. 26428.



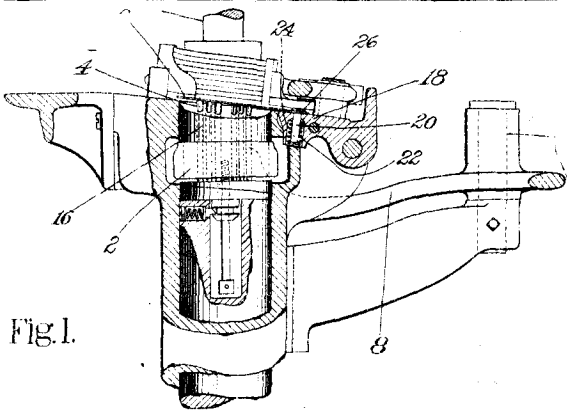
Ear-marker. Doeker, &c. Fortune. 26579.



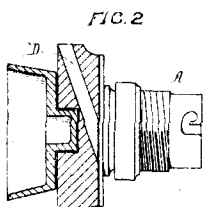
Lock. Schultze. 26494.



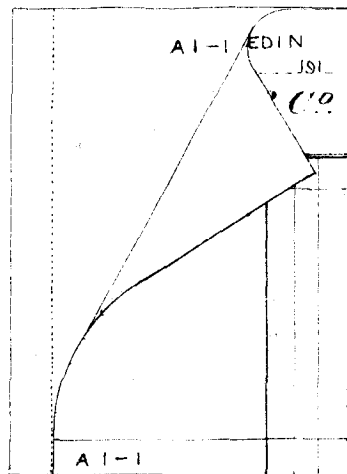
Horse-cover. Le Roy. 26502.



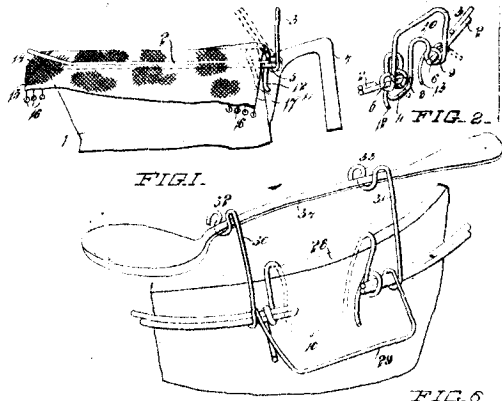
Boot-heel-nailing Machine. United Shoe Machinery Company. (Hall) 26601.



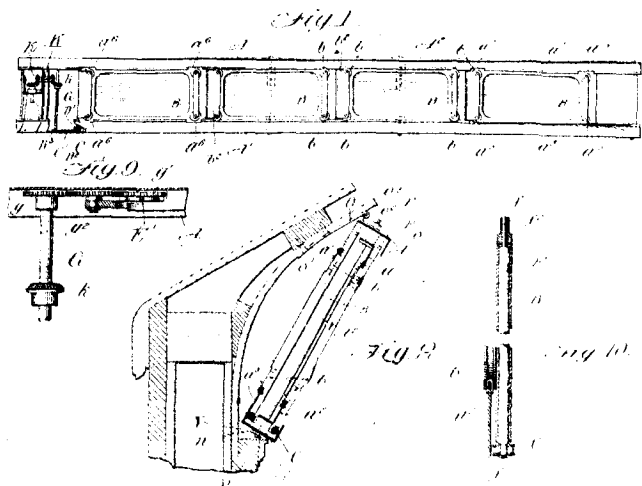
Electric Light Attaching Device. Neville and Pike. 27420.



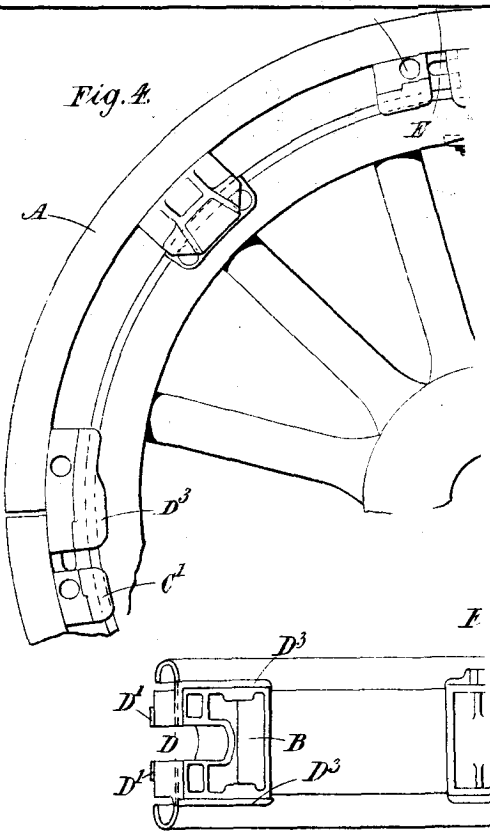
Sales-book. Smith. 27877.



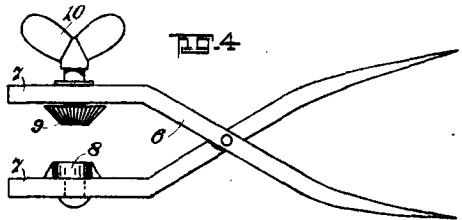
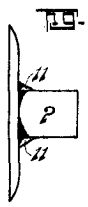
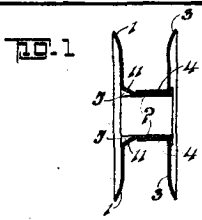
Jug-lid. Shailer. 27083.



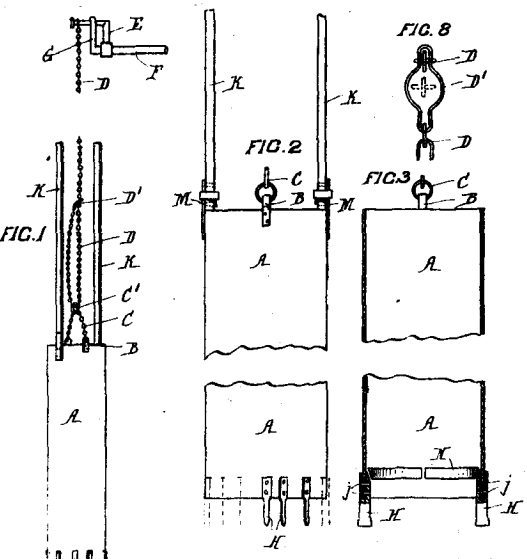
Advertising Device. National Car Advertising Company. (Ash) 27954.



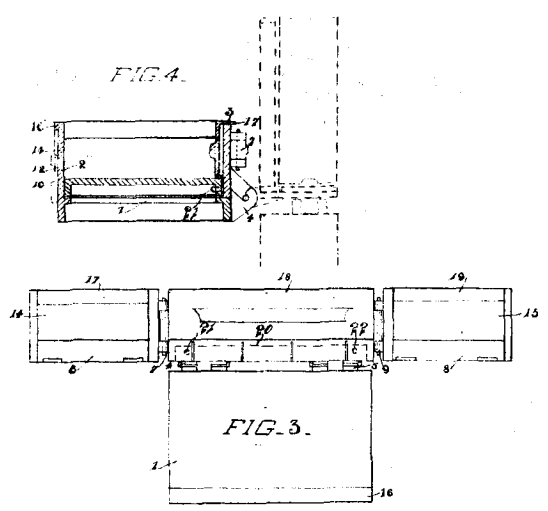
Wheel-rim. Hall and Baynes. 26695.



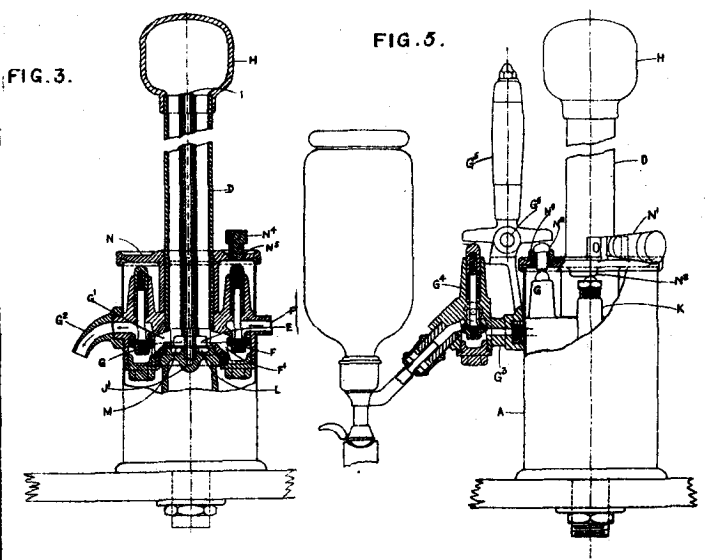
Ear-marker. Andrews. 28214.



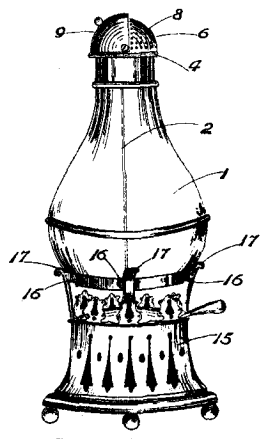
Boring-machine. Parry. 26678.



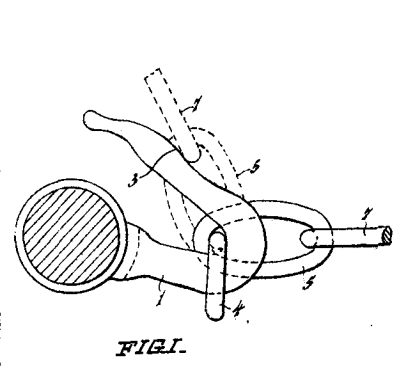
Concrete-block Machine. Cowperthwaite. 27428.



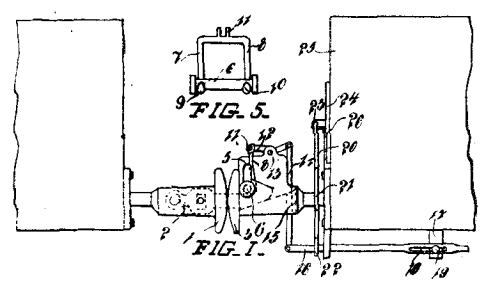
Aerator. Pearce and Barratt. 27917.



Condiment-container. Nicholson. 28096.



Swingletree-hook. Mander. 26872.



Coupling, Railway. Carmine. 27188.

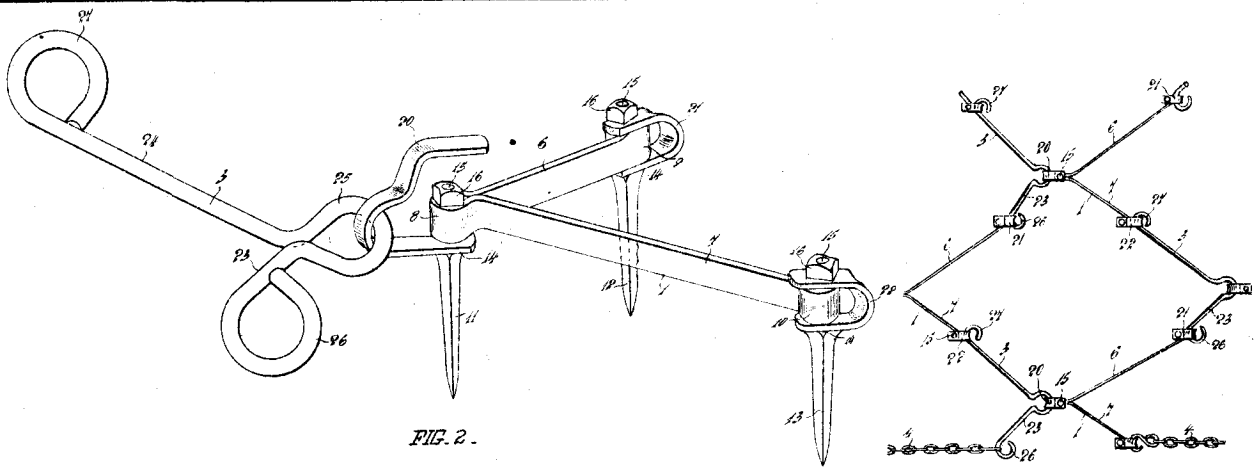
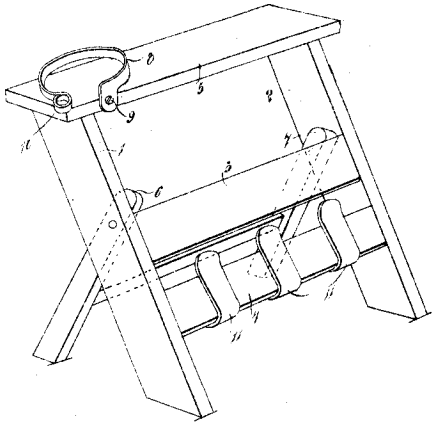
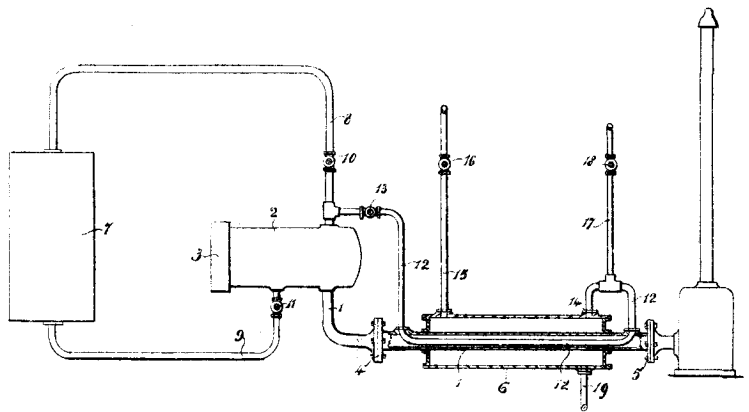


FIG. 2.

Harrow. P. and D. Duncan (Limited). (Keir.) 27942.



Boot-polishing Apparatus. Day. 28100.



Water-heater, Gas-engine. Hale and Nathan. 27837.

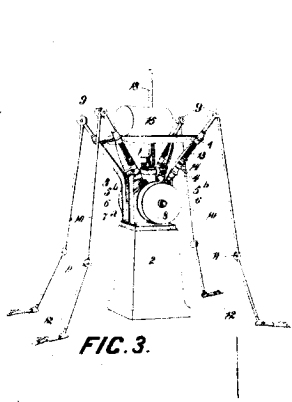


FIG. 3.

Shear-machine. Falkner and Boll. 28038.

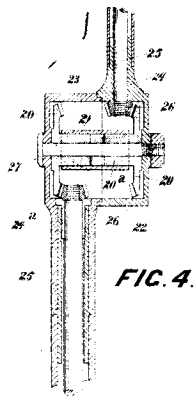


FIG. 4.

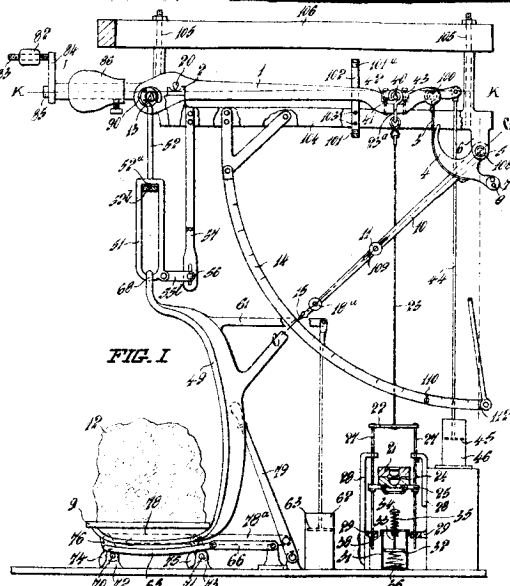
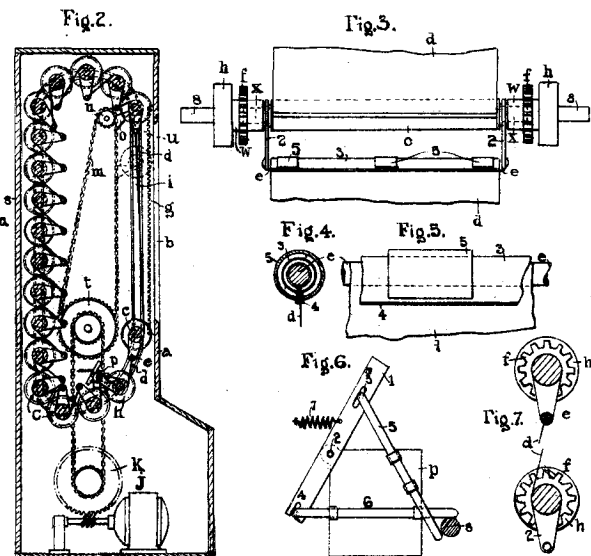
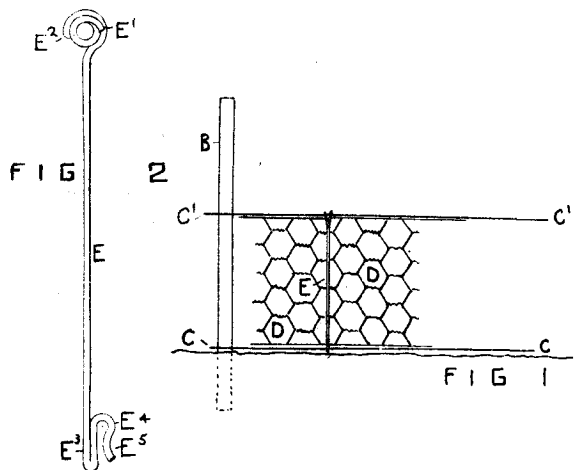


FIG. 1.

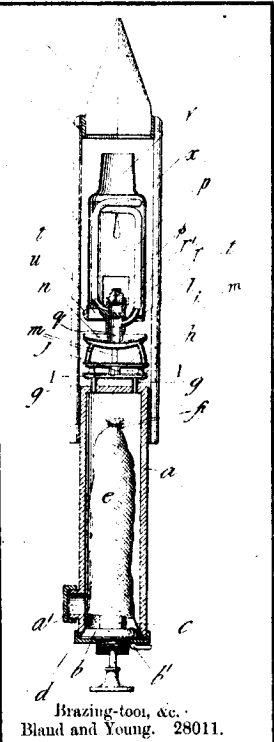
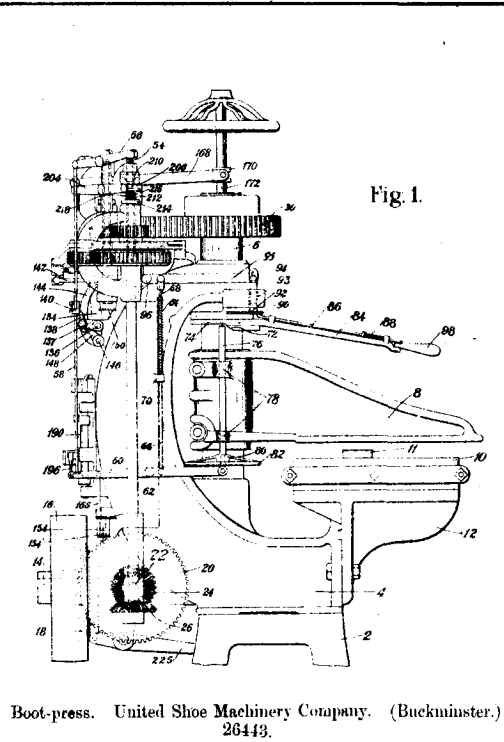
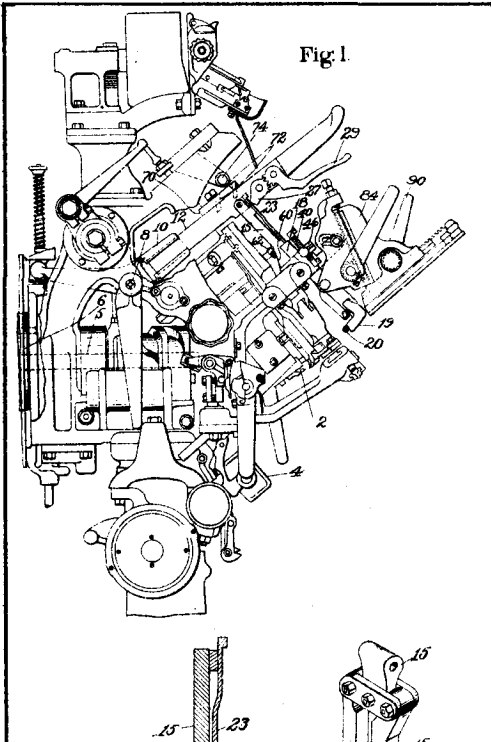
Scales. Hutchinson's Scales Co. (Limited). (Hutchinson.) 28081.



Displayer. Kent-Johnston. 28114.

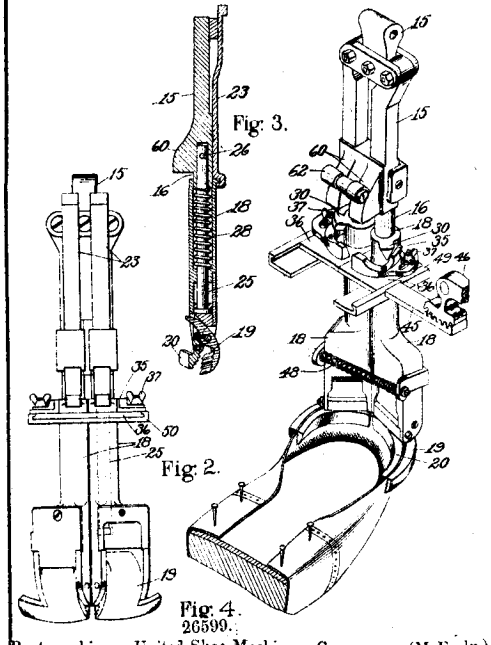


Wire-netting Fastener. Hardie. 28094.

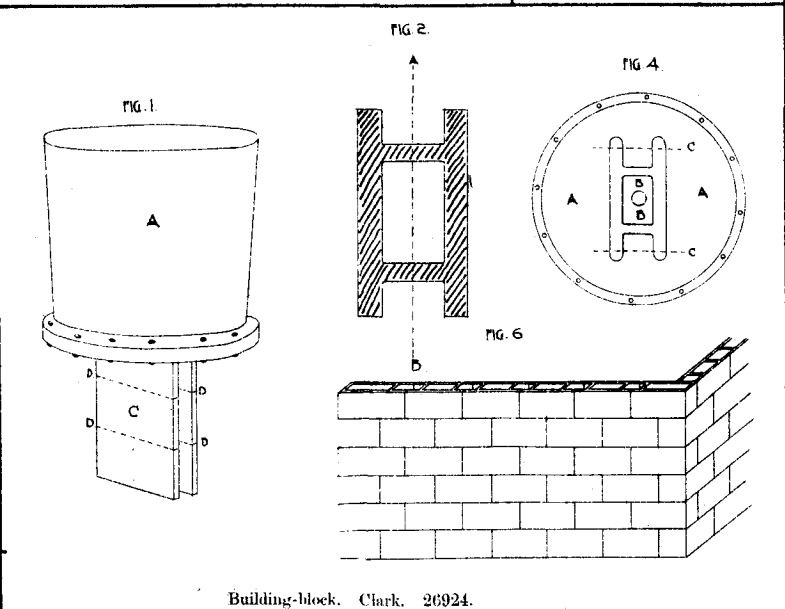


Boot-press. United Shoe Machinery Company. (Buckminster.) 26443.

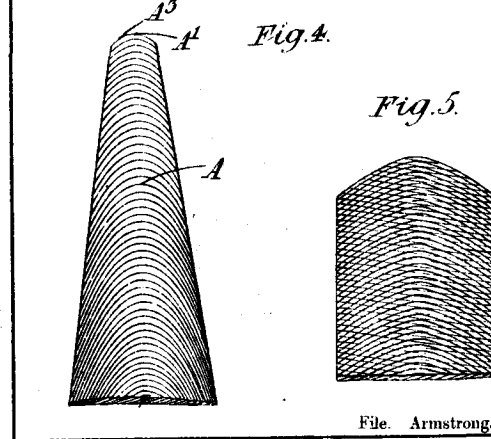
Brazing-tool, &c. Bland and Young. 28011.



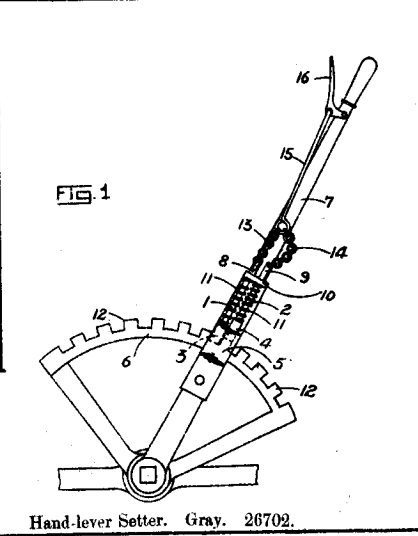
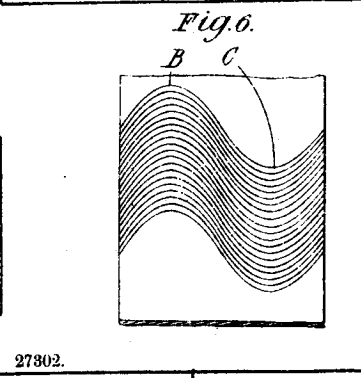
Boot-machine. United Shoe Machinery Company. (McFeely.) 26599.



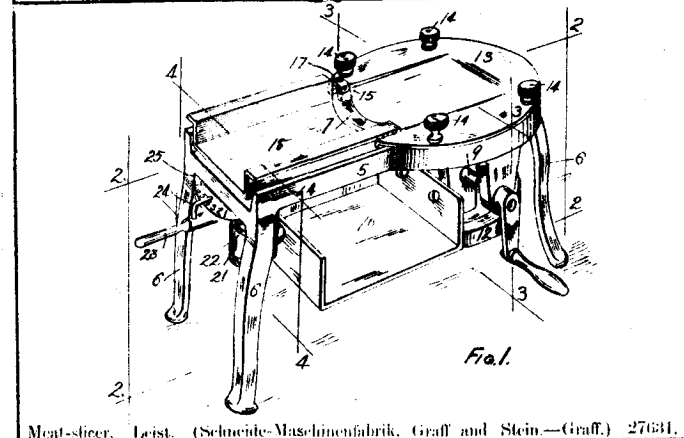
Building-block. Clark. 26924.



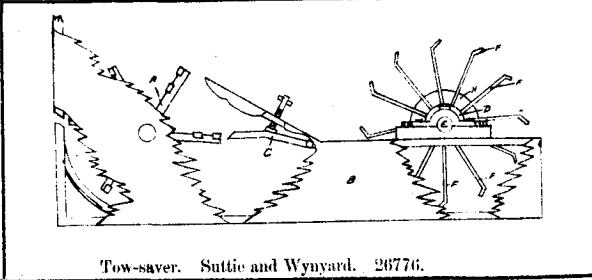
File. Armstrong. 27302.



Hand-lever Setter. Gray. 26702.



Meat-slicer. Leist. (Schneide-Maschinenfabrik, Graff and Stein—Graff.) 27631.



Tow-saver. Suttie and Wynyard. 26776.